

## 014665 Telecommunication Repeater Antennas - Yagi Antennas - HLP-800/2000-6dBi -

### 仕様

#### ◆Electrical Specifications

Item	Specification
Frequency Range	824~894 MHz(Cellular), 1885~2170MHz(IMT-2000)
Gain	6dBi min.
Front To Back Ratio	15dB min
3dB Beam Width	100°±10°(Horizontal, H-Plane) 65°±10°(Vertical, E-Plane)
V.S.W.R(Max.)	Less than 1.5
Impedance	50 Ω
Polarization	Vertical
Power Input(max.)	50W
IMD(Max.)	Cellular Band : -140dBc IMT-2000 Band : -130dBc

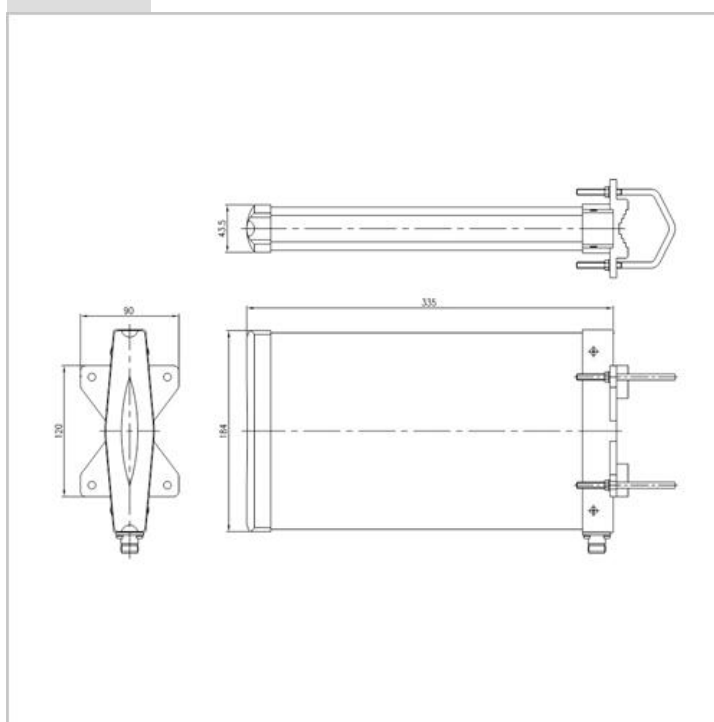
#### ◆Mechanical

Item	Specification
Dimensions	90mm×184mm×335mm
Weight	800g
Connector Type	N-Type Female
Mount type	Pipe Mount (Dia. 30~70)
Operating Temperature	-30° ~ +60° C

### 製品写真



### 寸法図



## 014666 Telecommunication Repeater Antennas - Yagi Antennas - HLP-800/2000-10dBi -

### 仕様

#### ◆Electrical Specifications

Item	Specification
Frequency Range	824-894 MHz(Cellular), 1885-2170MHz(IMT-2000)
Gain	10dBi min.
Front To Back Ratio	15dB min
3dB BeamWidth	55±5°(Horizontal, H-Plane) 45±5°(Vertical, E-Plane)
V.S.W.R(Max.)	Less than 1.5
Impedance	50 Ω
Polarization	Vertical
Power Input(max.)	50W
IMD(Max.)	Cellular Band : -140dBc IMT-2000 Band : -130dBc

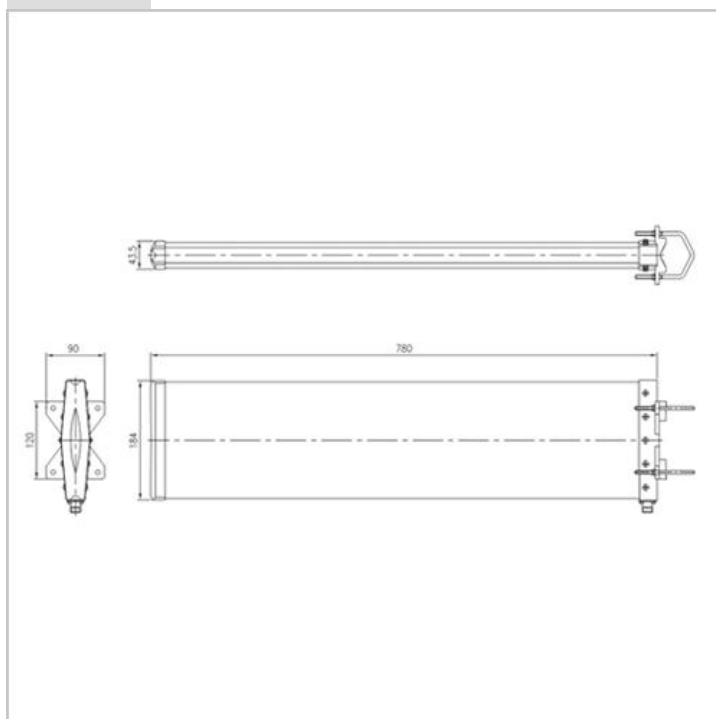
#### ◆Mechanical

Item	Specification
Dimensions	90mm×184mm×760mm
Weight	1.5kg
Connector Type	N-Type Female
Mount type	Pipe Mount (Dia. 30-70)
Operating Temperature	-30° ~ +60° C

### 製品写真



### 寸法図



## 014667 Telecommunication Repeater Antennas - Yagi Antennas - HLP-800/2600-6dBi -

### 仕様

#### ◆Electrical Specifications

Item	Specification
Frequency Range	824-894 MHz(Cellular),
	1885-2170MHz(IMT-2000)
	2300-2400MHz,
	2530-2655MHz(PMSB)
Gain	6dBi min.
Front To Back Ratio	15dB min
3dB BeamWidth	85°±25°(Horizontal, H-Plane)
	60°±20°(Vertical, E-Plane)
V.S.WR(Max.)	Less than 1.5
Impedance	50 Ω
Polarization	Vertical
Power Input(max.)	100W
IMD(Max.)	Cellular, IMT-2000 Band :-140dBc

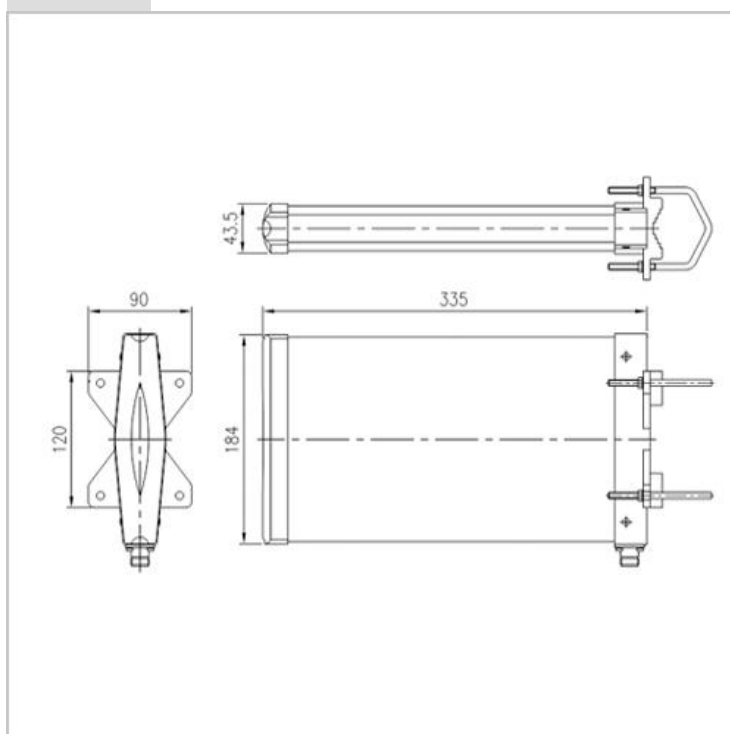
#### ◆Mechanical

Item	Specification
Dimensions	90mm×184mm×335mm
Weight	850g
Connector Type	N-Type Female
Mount type	Pipe Mount (Dia. 30~70)
Operating Temperature	-30° ~ +60° C

### 製品写真



### 寸法図



## 014668 Telecommunication Repeater Antennas - Yagi Antennas - HLP-800/2600-10dBi -

### 仕様

#### ◆Electrical Specifications

Item	Specification
Frequency Range	824~894 MHz(Cellular)
	1885~2170MHz(IMT-2000)
	2300~2400MHz
	2530~2655MHz(PMSB)
Gain	10dBi min.
Front To Back Ratio	15dB min
3dB Beam Width	50°±20°(Horizontal, H-Plane)
	50°±20°(Vertical, E-Plane)
V.S.W.R(Max.)	Less than 1.5
Impedance	100 Ω
Polarization	Vertical
Power Input(max.)	100W
IMD(Max.)	Celular,IMT-2000 Band : -140dBc

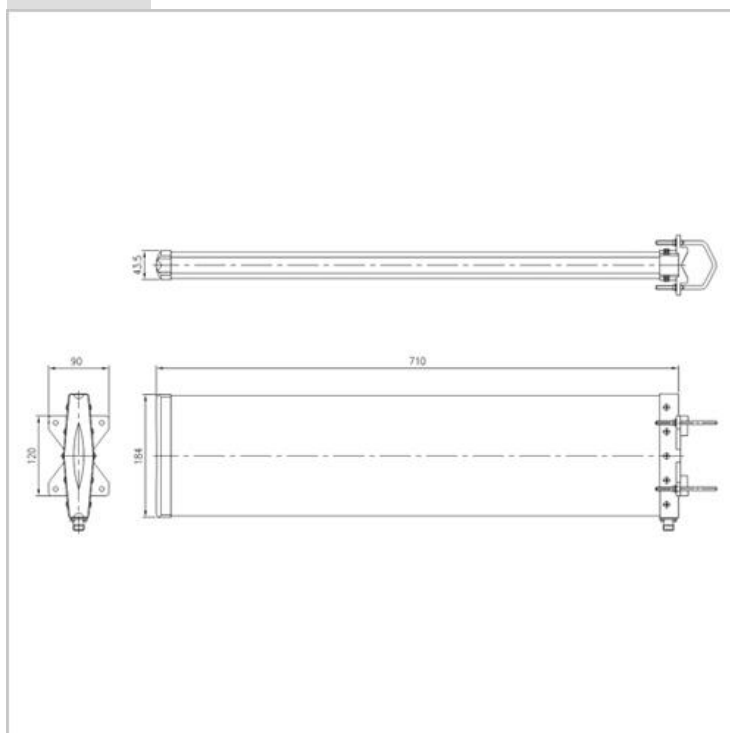
#### ◆Mechanical

Item	Specification
Dimensions	90mm×184mm×710mm
Weight	1.5kg
Connector Type	N-Type Female
Mount type	Pipe Mount (Dia. 30~70)
Operating Temperature	-30° ~ +60° C

### 製品写真



### 寸法図



## 014669 Telecommunication Repeater Antennas - Yagi Antennas - HLP-800/2600WB -

### 仕様

#### ◆Electrical Specifications

Item	Specification
Frequency Range	806~960 MHz, 1710~2655MHz
Gain	10 ± 1dBi
Front To Back Ratio	15dB min
3dB BeamWidth	50°±20°(Horizontal, H-Plane) 60°±20°(Vertical, E-Plane)
V.S.W.R(Max.)	Less than 2.0
Impedance	50 Ω
Polarization	Vertical
Power Input(max.)	100W

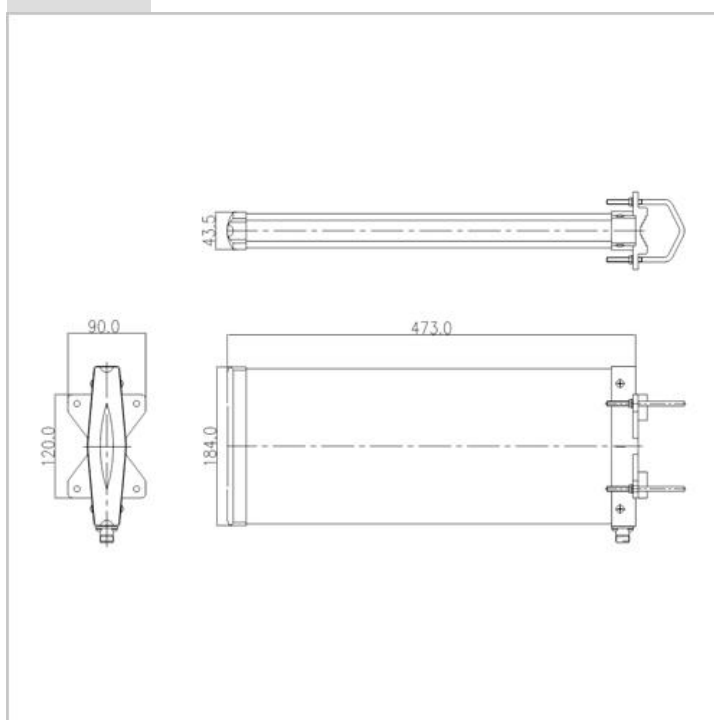
#### ◆Mechanical

Item	Specification
Dimensions	90mm×184mm×473mm
Weight	950g
Connector Type	N-Type Female
Mount type	Pipe Mount (Dia. 30~70)
Operating Temperature	-30° ~ +60° C

### 製品写真



### 寸法図



## 014670 Telecommunication Repeater Antennas - Yagi Antennas - HLP-1700WB -

### 仕様

#### ◆Electrical Specifications

Item	Specification
Frequency Range	1710-2400 MHz
Gain	12dBi min.
Front To Back Ratio	15dB min
3dB Beam Width	50°±10°(Horizontal, H-Plane) 50°±10°(Vertical, E-Plane)
V.S.W.R(Max.)	Less than 1.5
Impedance	100 Ω
Polarization	Vertical
Power Input(max.)	100W
IMD(Max.)	Cellular, IMT-2000 Band : -130dBc

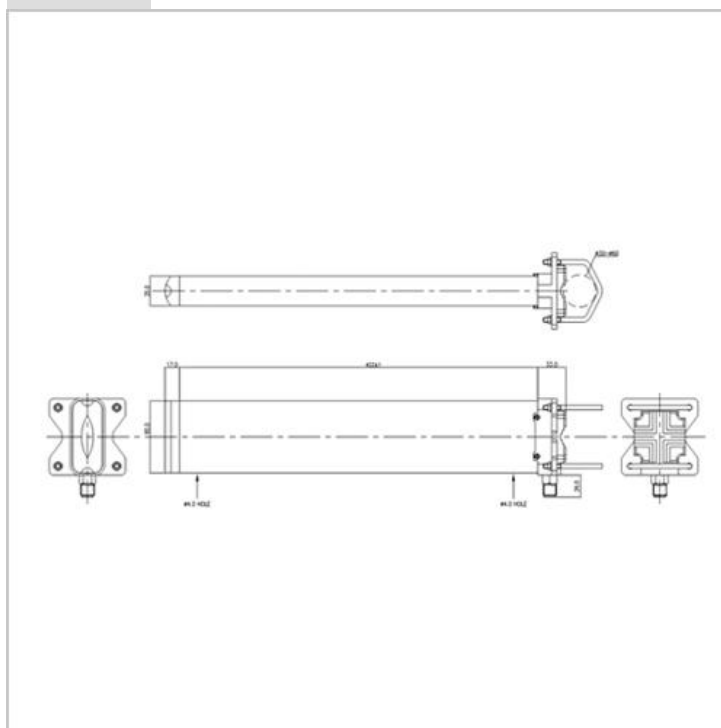
#### ◆Mechanical

Item	Specification
Frequency Range	1710-2400 MHz
Gain	12dBi min.
Front To Back Ratio	15dB min
3dB Beam Width	50°±10°(Horizontal, H-Plane) 50°±10°(Vertical, E-Plane)
V.S.W.R(Max.)	Less than 1.5
Impedance	100 Ω
Polarization	Vertical
Power Input(max.)	100W
IMD(Max.)	Cellular, IMT-2000 Band : -130dBc

### 製品写真



### 寸法図



## 014671 Telecommunication Repeater Antennas - Yagi Antennas - HLP-1800/2600-11 -

### 仕様

#### ◆Electrical Specifications

Item	Specification
Frequency Range	1885-2170 MHz 2300-2400 MHz 2630-2655 MHz
Gain	11 dBi min
Front to Back Ratio	15 dB min
3 dBi Beam width	50°± 10° (H-plane) 45°± 10° (E-plane)
V.S.W.R(Max.)	Less than 1.5
Impedance	50 Ω
Polarization	Vertical
Power Input(max.)	100W
IMD(max.)	3rd:-140dBc / 5th:-160dBc

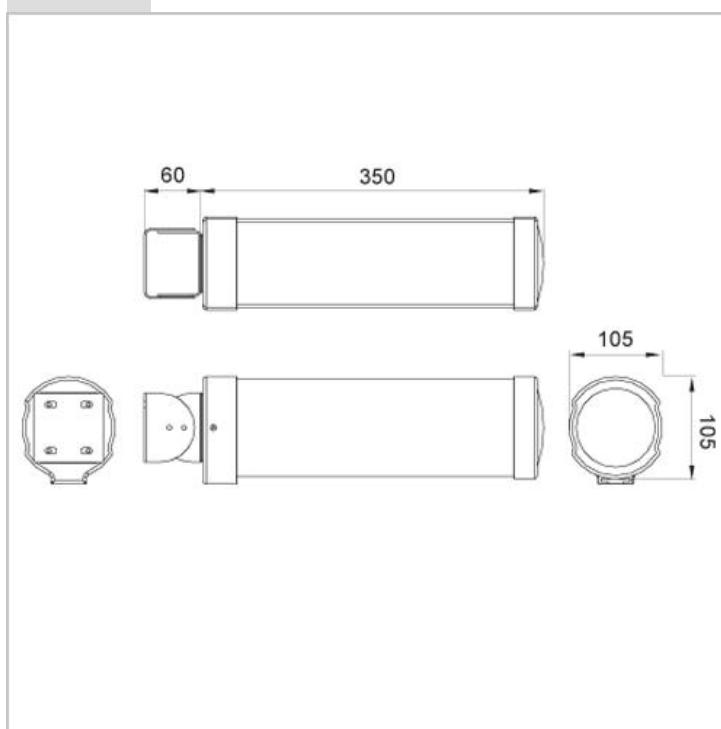
#### ◆Mechanical Specifications

Item	Specification
Dimensions	Ø 105 x 350 mm
Weight	658 g
Connector Type	N-Type Female
Mount type	Pipe Mount
Operating Temperature	-30° ~ +60° C

### 製品写真



### 寸法図



## 014672 Telecommunication Repeater Antennas - Yagi Antennas - RY6-800 -

### 仕様

#### ◆Electrical Specifications

Item	Specification
Frequency Range	824~894 MHz(Cellular)
Gain	10dBi min.
Front To Back Ratio	12dB min
3dB Beam Width	60°±10°(Horizontal, H-Plane) 50°±10°(Vertical, E-Plane)
V.S.WR(Max.)	Less than 1.5
Impedance	50 Ω
Polarization	Vertical
Power Input(max.)	100W

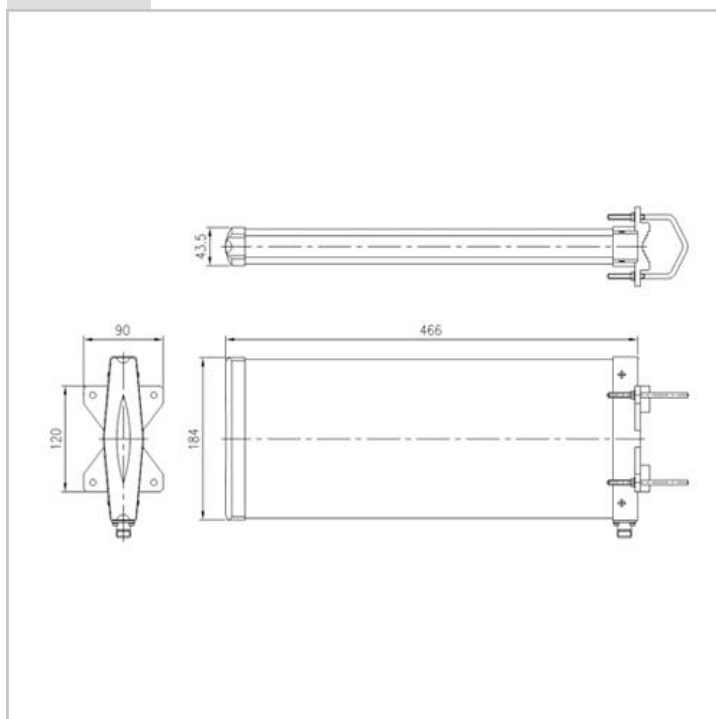
#### ◆Mechanical

Item	Specification
Dimensions	90mm×184mm×466mm
Weight	750g
Connector Type	N-Type Female
Mount type	Pipe Mount (Dia. 30~60)
Operating Temperature	-30° ~ +70° C

### 製品写真



### 寸法図





## 014673 Telecommunication Repeater Antennas - Yagi Antennas - RY10-2000 -

### 仕様

#### ◆Electrical Specifications

Item	Specification
Frequency Range	1885~2170MHz
Gain	12dBi
Front To Back Ratio	15dB
3dB BeamWidth	35° ± 10° (E-Plane,H-Plane)
V.S.WR(Max.)	Less than 1.5
Impedance	50 Ω(Normal)
Polarization	Vertical
Power Input(max.)	100W
IMD(Max.)	-140dBc

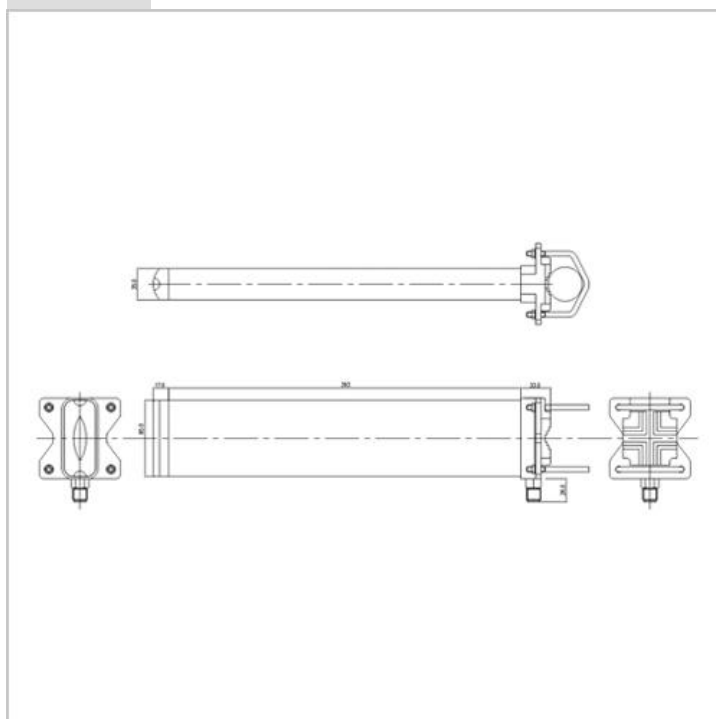
#### ◆Mechanical

Item	Specification
Dimensions	W:85mm L:442mm D:113mm
Weight	640g
Connector Type	N-Type Female
Mount type	Mast Mount(Dia. 30~60mm)
Operating Temperature	-30° ~ +60° C

### 製品写真



### 寸法図



## 014674 Telecommunication Repeater Antennas - Yagi Antennas - RY12-2400 -

### 仕様

#### ◆ Electrical Specifications

Item	Specification
Frequency Range	2400~2500MHz
Gain	13dBi
Front To Back Ratio	14dB
3dB Beam Width	35°±10° (Horizontal, H-Plane) 35°±10° (Vertical, E-Plane)
V.S.W.R(Max.)	Less than 1.5
Impedance	50 Ω (Nominal)
Polarization	Vertical
Power Input(max.)	10 W

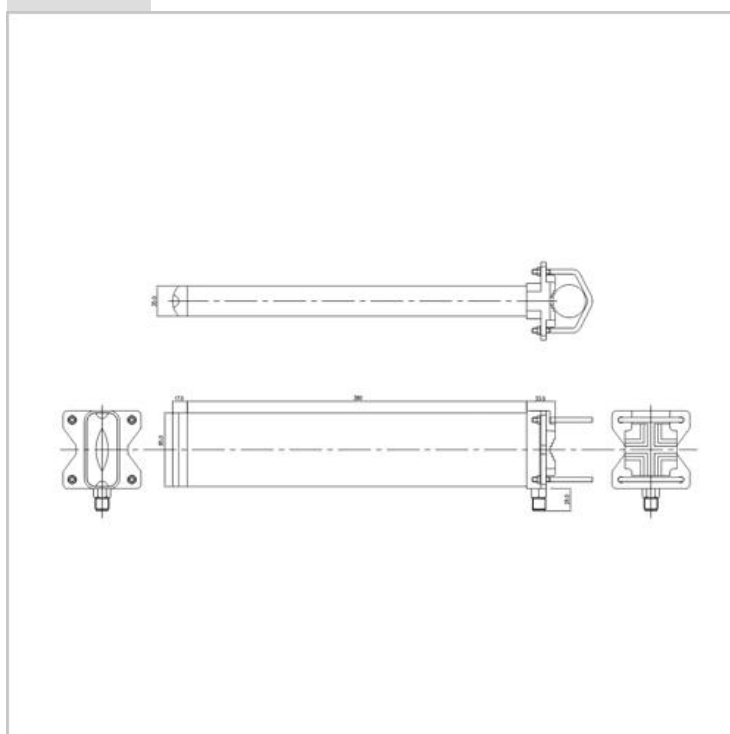
#### ◆ Mechanical

Item	Specification
Dimensions	W:100mm L:428 D:116mm
Weight	700g
Connector Type	N-Type Female
Mount type	Mast Mount(Dia. 30~60mm)
Operating Temperature	-30° ~ +60° C

### 製品写真



### 寸法図



## 014675 Telecommunication Repeater Antennas - Yagi Antennas - RY12-2600 -

### 仕様

#### ◆ Electrical Specifications

Item	Specification
Frequency Range	2530~2655MHz
Gain	12dBi
Front To Back Ratio	15dB
3dB BeamWidth	35° ± 10° (E-Plane,H-Plane)
V.S.W.R(Max.)	Less than 1.5
Impedance	50 Ω(Normal)
Polarization	Vertical
Power Input(max.)	100 W

#### ◆ Mechanical

Item	Specification
Dimensions	W:85mm L:430mm D:113mm
Weight	530g
Connector Type	N-Type Female
Mount type	Mast Mount(Dia. 30~60mm)
Operating Temperature	-30° ~ +60° C

### 製品写真



### 寸法図

