

014651 Telecommunication Repeater Antennas - Patch Antennas - HIF-2300 -

仕様

◆ Electrical Specifications

Item	Specification
Frequency Range	2.3-2.4 GHz
Gain	7.5 dBi
Front To Back Ratio	15 dB
3dB BeamWidth	Azimuth : 77° Elevation : 53°
V.S.W.R(Max.)	Less than 1.5
Impedance	50 Ω
Polarization	Vertical
Power Input(max.)	50 W

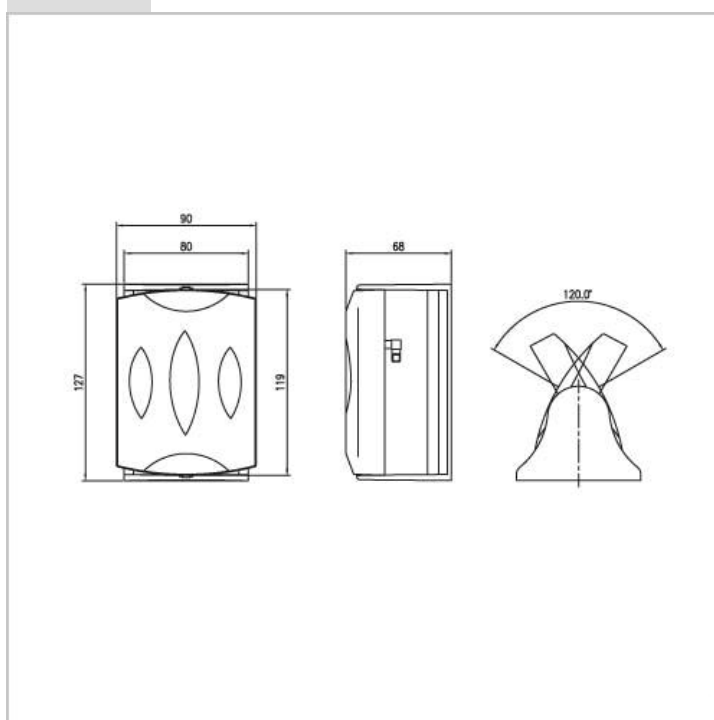
◆ Mechanical

Item	Specification
Dimensions (W×H×D)	90 × 127 × 68 mm
Weight	160 g(only ANT.) 240 g(With individual box)
Connector	SMA Female R/A
Mount type	Wall mount
Articulation angle	-60° ~ +60°

製品写真



寸法図



014652 Telecommunication Repeater Antennas - Patch Antennas - HPY4-1700 -

仕様

◆Electrical Specifications

Item	Specification
Frequency Range	1710~1880MHz
Gain	12dBi
Front To Back Ratio	15dB
3dB BeamWidth	35°±5°(H-Plane, E-Plane)
V.S.W.R(Max.)	Less than 1.5
Impedance	50 Ω
Polarization	Vertical
Power Input(max.)	50W

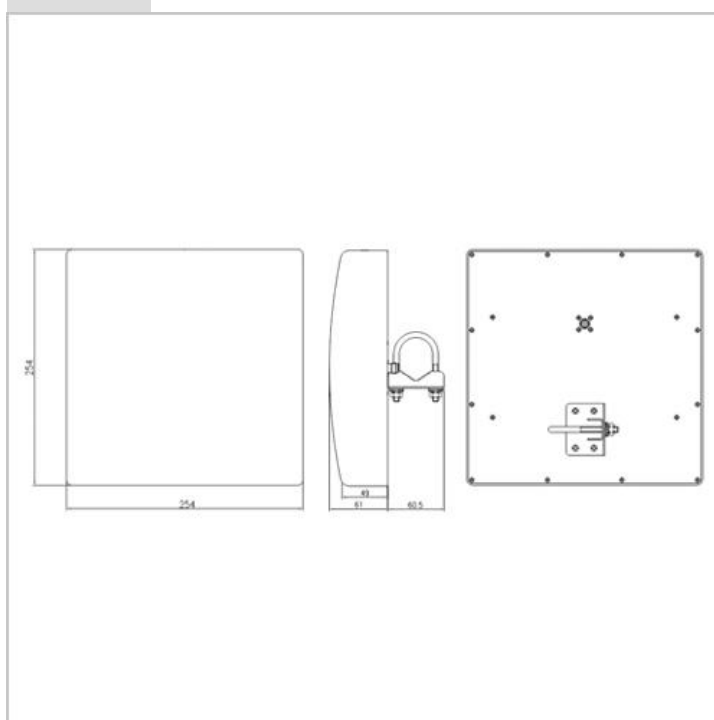
◆Mechanical

Item	Specification
Dimensions	254mm×254mm×61mm Ant. Only
Weight	1.2Kg
Connector Type	TNC Female
Mount type	Pole Mount (Dia. 20~38mm)
Operating Temperature	-30° ~ +60° C

製品写真



寸法図



014653 Telecommunication Repeater Antennas - Patch Antennas - HPY4-1900 -

仕様

◆Electrical Specifications

Item	Specification
Frequency Range	1850~1990MHz
Gain	12dBi
Front To Back Ratio	15dB
3dB BeamWidth	35°±5°(H-Plane, E-Plane)
V.S.W.R(Max.)	Less than 1.5
Impedance	50 Ω
Polarization	Vertical
Power Input(max.)	50W

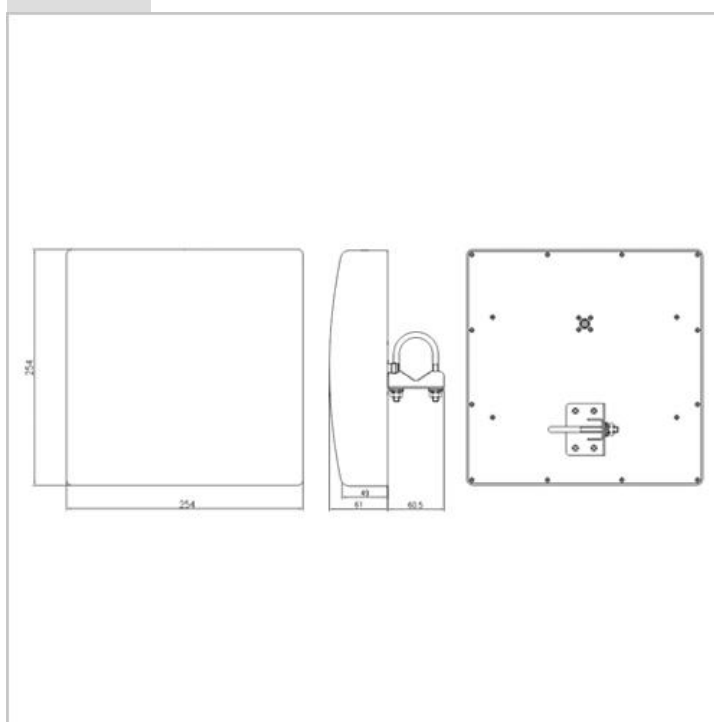
◆Mechanical

Item	Specification
Dimensions	254mm×254mm×61mm Ant. Only
Weight	1.2Kg
Connector Type	TNC Female
Mount type	Pole Mount (Dia. 20~38mm)
Operating Temperature	-30° ~ +60° C

製品写真



寸法図



014654 Telecommunication Repeater Antennas - Patch Antennas - HSP-800 -

仕様

◆Electrical Specifications

ITEM	SPECIFICATIONS
Antenna Type	Slot Patch
Frequency Range	824 - 894 MHz
V.S.W.R	Less than 1.5
Gain	9 dBi (Minimum)
Radiation Pattern	Directional
Half Power Beam Width	Azimuth : $62 \pm 3^\circ$ Elevation : $62 \pm 3^\circ$
Nominal Impedance	50 Ω
Front to Back Ratio	15dB
Polarization	Vertical

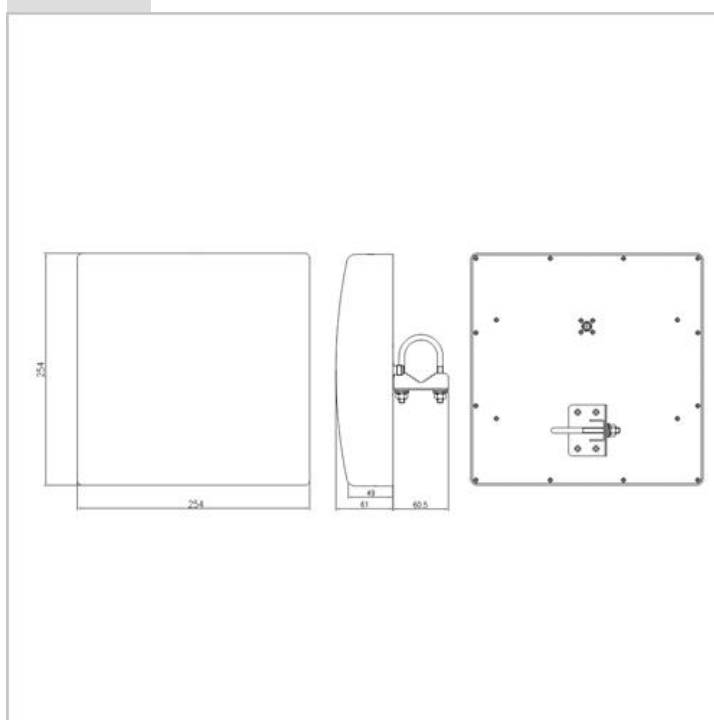
◆Mechanical

ITEM	SPECIFICATIONS	REMARK
Dimension(WxHxD)	254 mm x 254 mm x 61mm	Without Bracket
Housing Material	UV ABS	Gray Color
Connector	TNC-Type Female	Ni-Plating
Operation Temperature	-30 ~ +60 °C	
Mount Type	Pipe mount	Ø20~35 mm
Weight	1 kg	With Bracket

製品写真



寸法図



014655 Telecommunication Repeater Antennas - Patch Antennas - HSP-800/2000 -

仕様

◆Electrical Specifications

Item	Specification
Frequency Range	824~894 MHz(Cellular), 1885~2170MHz(IMT-2000)
Gain	6dBi(Cellular), 8dBi(IMT-2000)
Front To Back Ratio	15dB
3dB Beam Width	80°±10°(Cellular, H-Plane, E-Plane) 65°±10°(IMT-2000, H-Plane, E-Plane)
V.S.W.R(Max.)	Less than 1.5
Impedance	50 Ω
Polarization	Vertical
Power Input(max.)	50W
IMD(Max.)	-1.30dBc

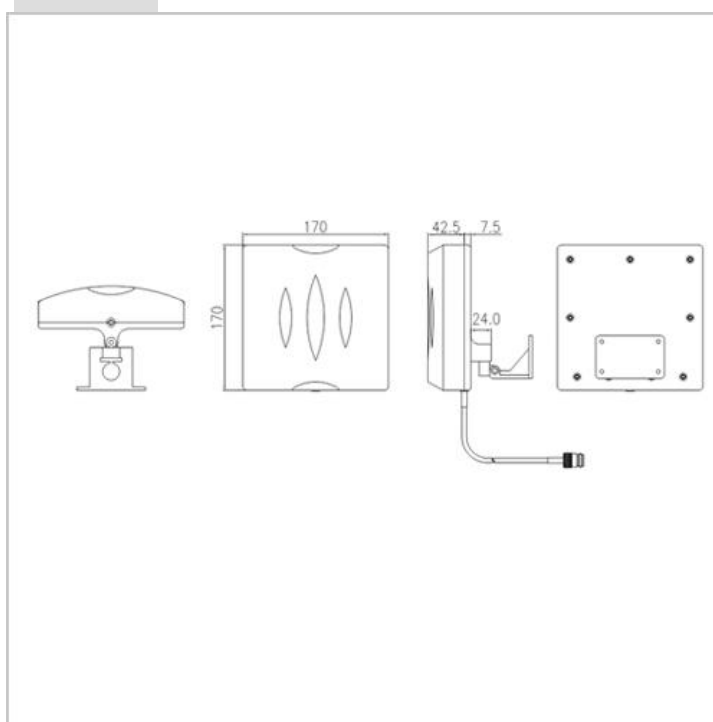
◆Mechanical

Item	Specification
Dimensions	170mm × 170mm × 50mm Ant. Only
Weight	532g
Connector Type	N-Type Female, Cable 30Cm
Mount type	Wall Mount
Operating Temperature	-30° ~ +60° C

製品写真



寸法図



014656 Telecommunication Repeater Antennas - Patch Antennas - HSP-800/2600-T -

仕様

◆ Electrical Specifications

Item	Specification
Frequency Range	824-894 MHz 1885-2170 MHz 2300-2400 MHz 2630-2655 MHz
Gain	6 dBi min
Front to Back Ratio	10 dB min
3 dBi Beam width	40° min
V.S.W.R(Max.)	Less than 1.8
Impedance	50 Ω
Polarization	Vertical
Power Input(max.)	10W
IMD(max.)	3rd: -140dBc / 5th: -160dBc

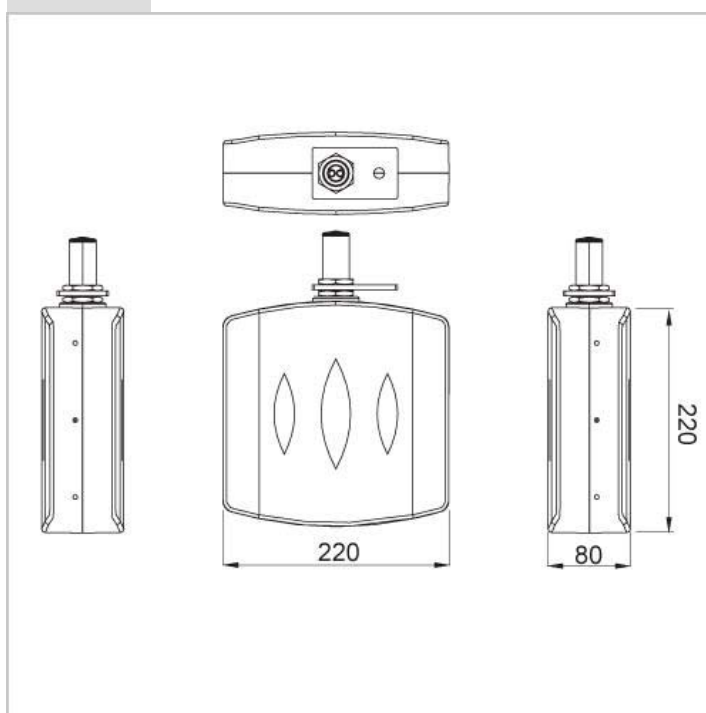
◆ Mechanical Specifications

Item	Specification
Dimensions	220mm x 220mm x 80 mm
Weight	1100g
Connector Type	SMA Female x 2
Mount type	Ceiling Mount
Operating Temperature	-30° ~ +60° C

製品写真



寸法図



014657 Telecommunication Repeater Antennas - Patch Antennas - HSP-800/2600WB -

仕様

◆ Electrical Specifications

Item	Specification
Frequency Range	824-894 MHz 1885-2170 MHz 2300-2400 MHz 2630-2655 MHz
Gain	6 dBi min
Front to Back Ratio	10 dB min
3 dBi Beam width	40° min
V.S.W.R(Max.)	Less than 1.8
Impedance	50 Ω
Polarization	Vertical
Power Input(max.)	10W
IMD(max.)	3rd:-140dBc / 5th: -160dBc

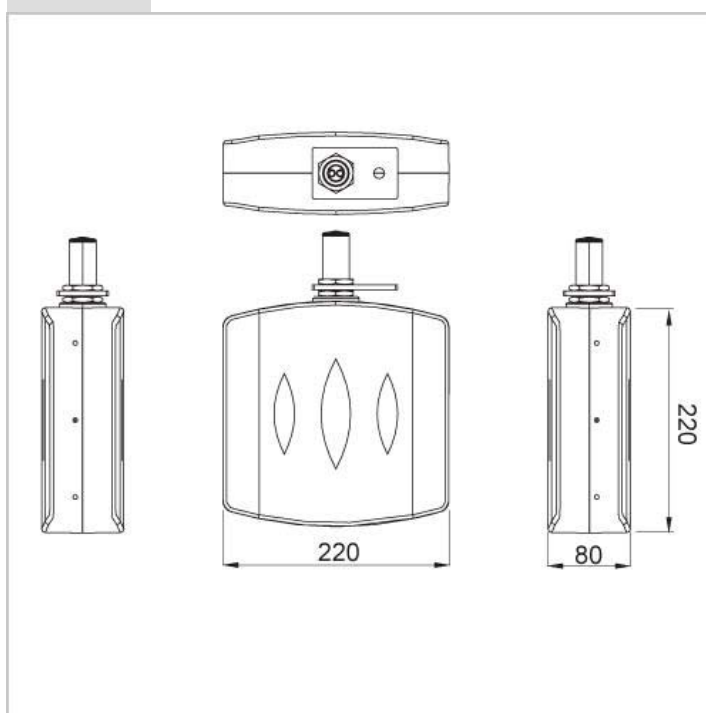
◆ Mechanical Specifications

Item	Specification
Dimensions	220mm x 220mm x 80 mm
Weight	1100g
Connector Type	SMA Female x 2
Mount type	Ceiling Mount
Operating Temperature	-30° ~ +60° C

製品写真



寸法図



014658 Telecommunication Repeater Antennas - Patch Antennas - HSP-800/2600WB -

仕様

◆ Electrical Specifications

Item	Specification	
Frequency Range	806-960MHz	1710-2655MHz
Gain	8dBi±0.5	6.5dBi±0.5
Front To Back Ratio	12dB	12dB
3dB BeamWidth	70° ± 10° (E-Plane,H-plane)	60° ± 30° (E-Plane,H-plane)
V.S.WR(Max.)	Less than 2.0	
Impedance	50 (Nominal)	
Polarization	Vertical	
Power Input(max.)	50 W	

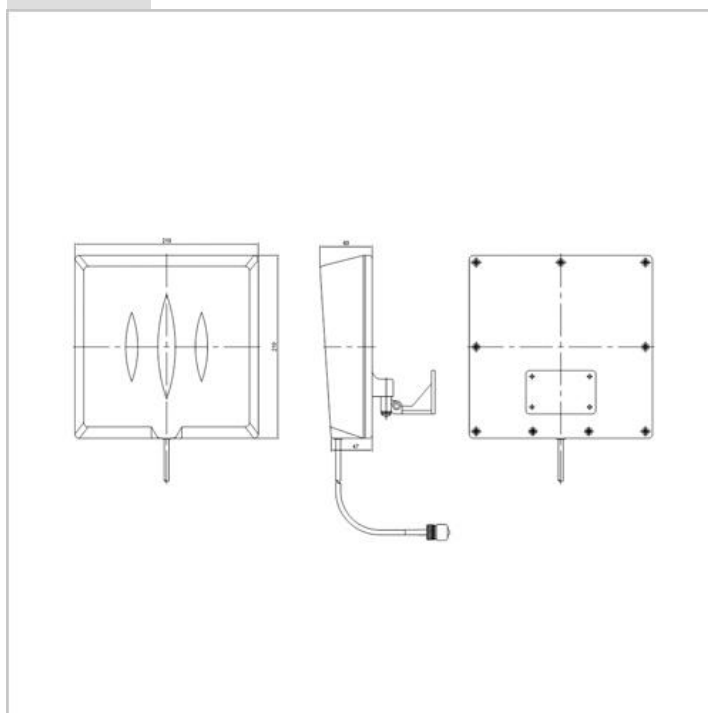
◆ Mechanical

Item	Specification
Dimensions	W: 205mm L: 205mm D: 55mm
Weight	722g
Connector Type	N-Type Female
Mount type	Wall Mount
Operating Temperature	-30° ~ +60° C

製品写真



寸法図



014660 Telecommunication Repeater Antennas - Patch Antennas - HSP-800WB-L -

仕様

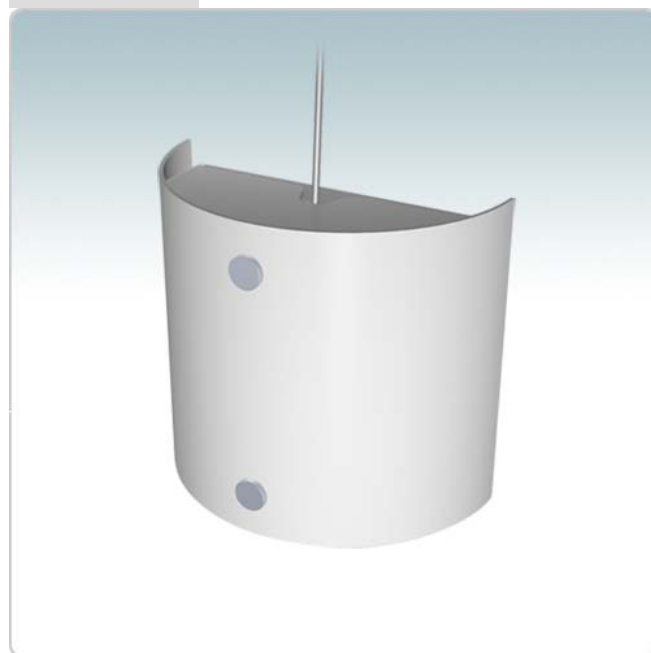
◆Electrical Specifications

Item	Specification
Frequency Range	824~894 MHz 1885~2655 MHz
Gain	6 dBi
3dB BeamWidth	50° ~ 90° (V-Pol, H-Pol)
V.S.WR(Max.)	Less than 1.8
Impedance	50 (Nominal)
Polarization	Vertical
Power Input(max.)	10 W

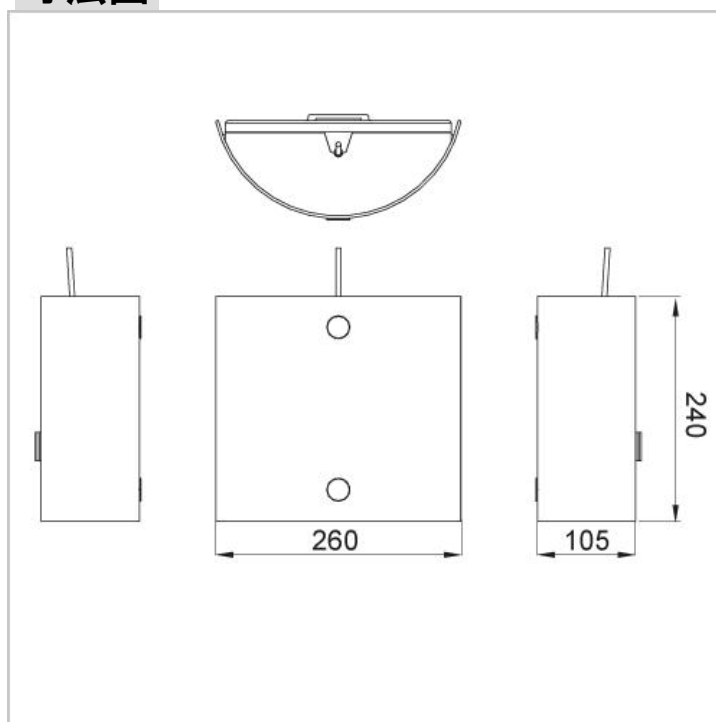
◆Mechanical Specifications

Item	Specification
Dimensions	260mm*240mm*105mm Ant. Only
Weight	0.9kg
Connector Type	SMA-Type Female
Mount type	Wall Mount
Operating Temperature	-30° ~ +60° C

製品写真



寸法図



014661 Telecommunication Repeater Antennas - Patch Antennas - HSP-800WB-P -

仕様

◆Electrical Specifications

Item	Specification
Frequency Range	824~894 MHz
	1885~2655 MHz
Gain	6 dBi
3dB BeamWidth	50° ~ 90° (V-Pol, H-Pol)
V.S.W.R(Max.)	Less than 1.8
Impedance	50 (Norminal)
Polarization	Vertical
Power Input(max.)	10 W

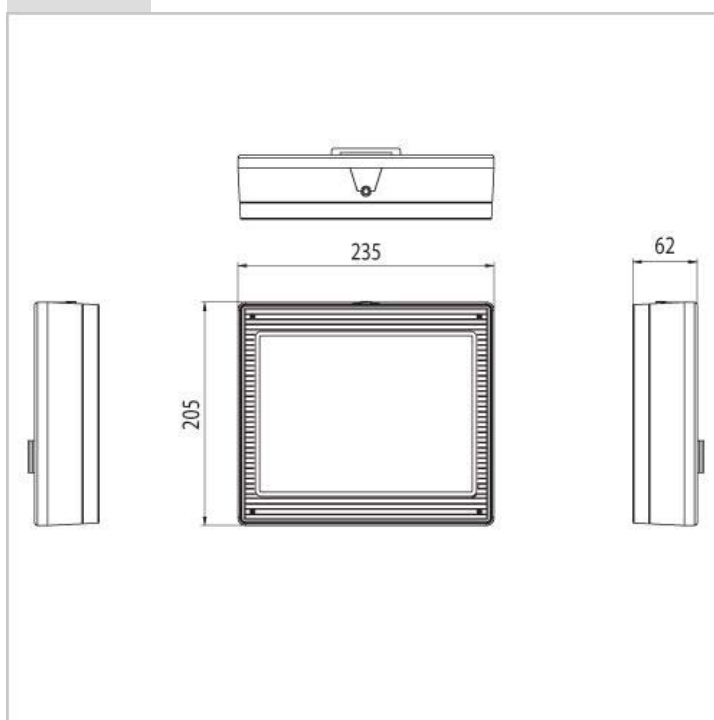
◆Mechanical Specifications

Item	Specification
Dimensions	235mm*205mm*62mm Ant. Only
Weight	0.75kg
Connector Type	SMA-Type Female
Mount type	Wall Mount
Operating Temperature	-30° ~ +60° C

製品写真



寸法図



014662 Telecommunication Repeater Antennas - Patch Antennas - HSP-1800 -

仕様

◆ Electrical Specifications

Item	Specification
Frequency Range	1710-1990 MHz
Gain	7.5 dBi
Front To Back Ratio	12 dB
3dB Beam Width	Azimuth : 70° Elevation : 78°
V.S.WR(Max.)	Less than 1.5
Impedance	50 Ω
Polarization	Vertical
Power Input(max.)	50 W

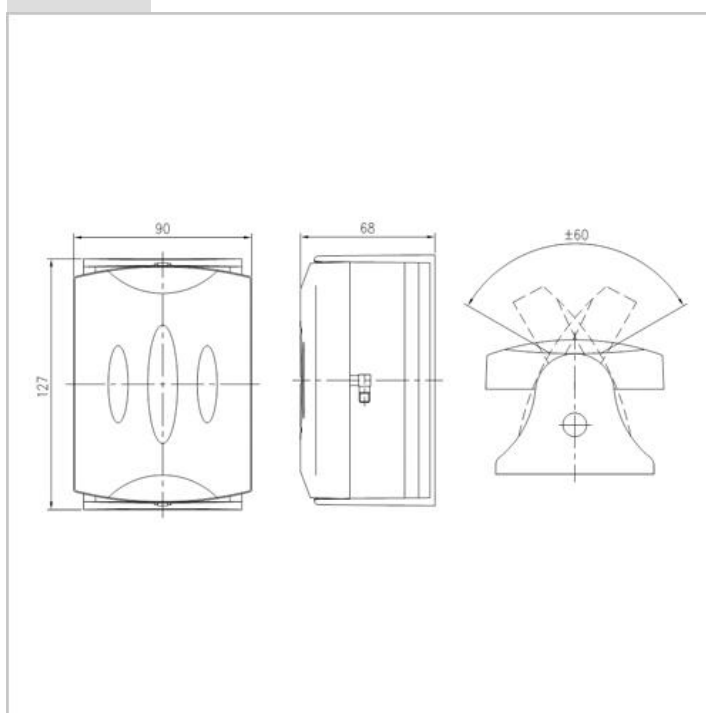
◆ Mechanical

Item	Specification
Dimensions (W×H×D)	90 × 127 × 68 mm
Weight	160 g(only ANT.)
	240 g(With individual box)
Connector	SMA Female R/A
Mount type	Wall mount
Articulation angle	-60° ~ +60°

製品写真



寸法図



014663 Telecommunication Repeater Antennas - Patch Antennas - HSP-2000 -

仕様

◆Electrical Specifications

Item	Specification
Frequency Range	1885~2170MHz
Gain	8dBi
Front To Back Ratio	15dB
3dB Beam Width	65°±10°(H-Plane, E-Plane)
V.S.W.R(Max.)	Less than 1.5
Impedance	50 Ω
Polarization	Vertical
Power Input(max.)	50W
IMD(Max.)	-130dBc

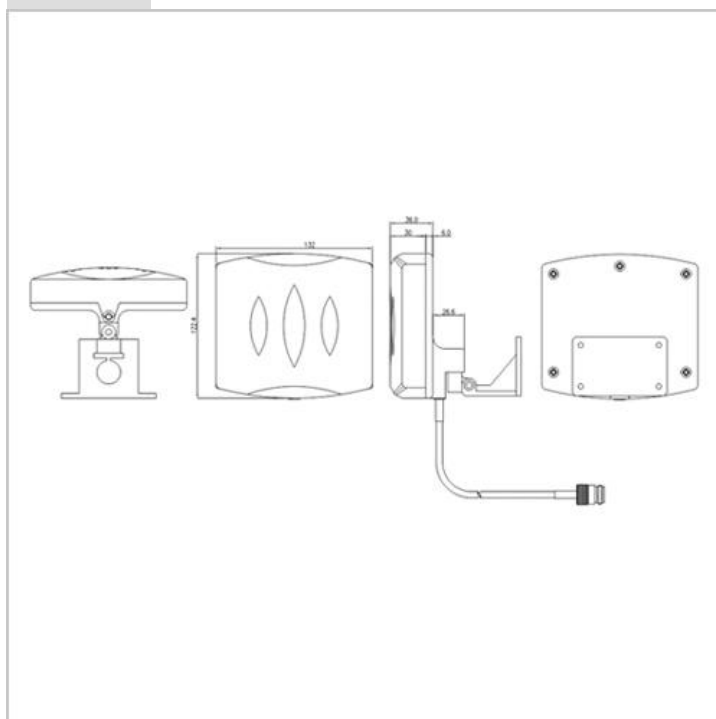
◆Mechanical

Item	Specification
Dimensions	132mm×122mm×36mm Ant. Only
Weight	286g
Connector Type	N-Type Female, Cable 30Cm
Mount type	Wall Mount
Operating Temperature	-30° ~ +60° C

製品写真



寸法図



014664 Telecommunication Repeater Antennas - Patch Antennas - HSP-2600 -

仕様

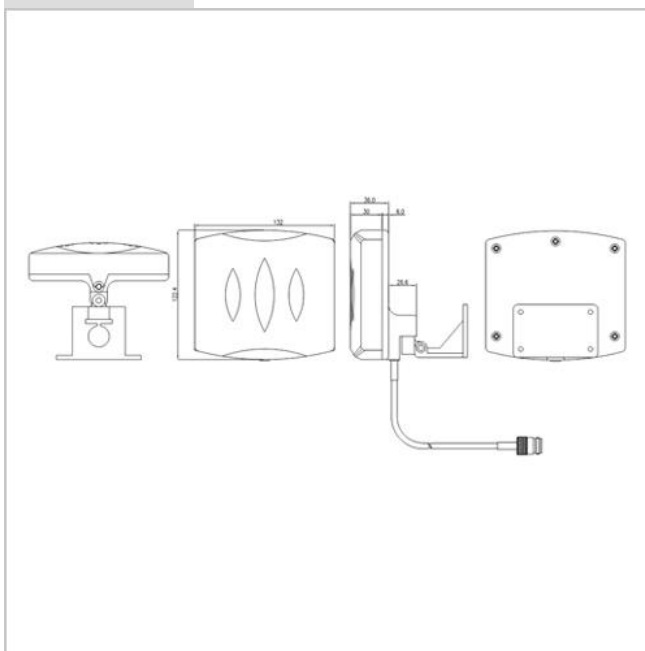
◆Electrical Specifications

Item	Specification
Frequency Range	2630~2655MHz
Gain	8dBi
Front To Back Ratio	15dB
3dB Beam Width	Azimuth:60° Elevation:50°
V.S.WR(Max.)	Less than 1.5
Impedance	50 Ω
Polarization	Vertical
Power Input(max.)	50W

◆Mechanical

Item	Specification
Dimensions	132mm×122mm×36mm Ant. Only
Weight	286g
Connector Type	N-Type Female, Cable 30Cm
Mount type	Wall Mount
Operating Temperature	-30° ~ +60° C

製品写真



寸法図

