

014646 Telecommunication Repeater Antennas - Omni Antennas - HOL-800WB(Partially) -

仕様

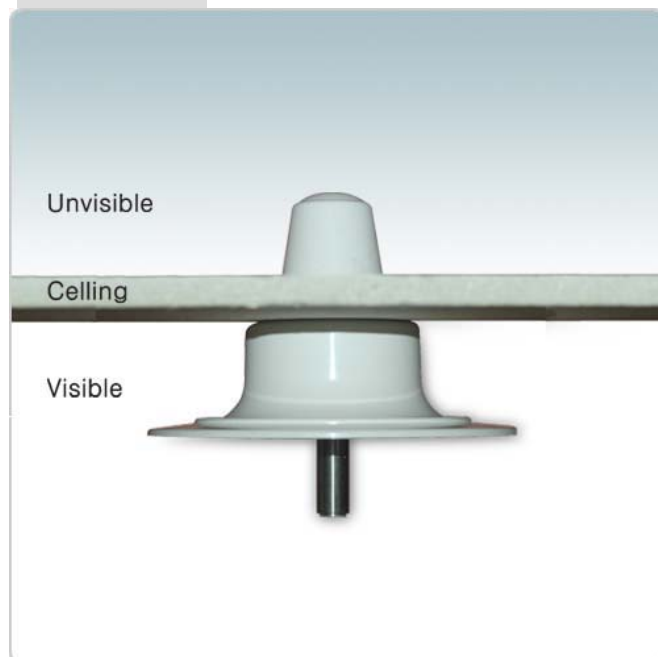
◆Electrical Specifications

Item	Specification
Frequency Range	824~894 MHz(Cellular), 1885~2655MHz(IMT-2000, Wireless Lan, PMSB)
Gain	0 dBi
V.S.WR(Max.)	Less than 1.8
Impedance	50 Ω
Polarization	Vertical
Power Input(max.)	50W
IMD(Max.)	-140dBc

◆Mechanical

Item	Specification
Dimensions	Ø 174 x 146
Weight	325 g
Connector Type	N-Type Female
Mount type	Ceiling Mount
Operating Temperature	-30° ~ +60° C

製品写真



寸法図

