



## 014644 Telecommunication Repeater Antennas - Omni Antennas - HOL-800/2600WB -

### 仕様

#### ◆Electrical Specifications

Item	Specification	
Frequency Range	806-960MHz	1710-2655MHz
Gain	2dBi	3dBi
Front To Back Ratio	-	-
3dB BeamWidth	90° ±10° (E-Plane,H-Plane)	50° ±10° (E-Plane,H-Plane)
V.S.W.R(Max.)	Less than 2.0	
Impedance	50 (Norminal)	
Polarization	Vertical	
Power Input(max.)	50 W	

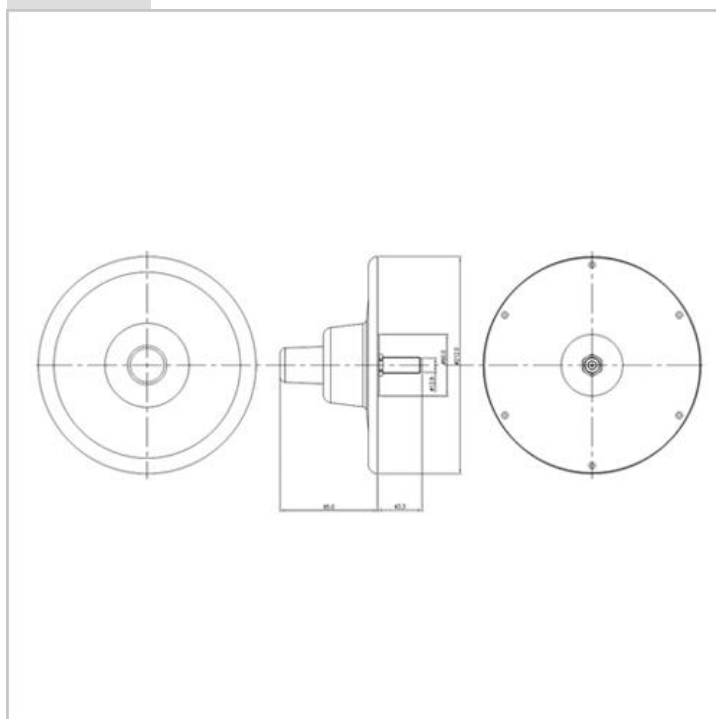
#### ◆Mechanical

Item	Specification
Dimensions	Ø 212 x 138
Weight	594 g
Connector Type	N-Type Female
Mount type	Ceiling Mount
Operating Temperature	-30° ~ +60° C

### 製品写真



### 寸法図



## 014645 Telecommunication Repeater Antennas - Omni Antennas - HOL-800WB -

### 仕様

#### ◆Electrical Specifications

Item	Specification
Frequency Range	824~894 MHz(Cellular), 1885~2655MHz(IMT-2000, Wireless Lan, PMSB)
Gain	2 dBi
V.S.W.R(Max.)	Less than 1.8
Impedance	50 Ω
Polarization	Vertical
Power Input(max.)	50W
IMD(Max.)	-140dBc

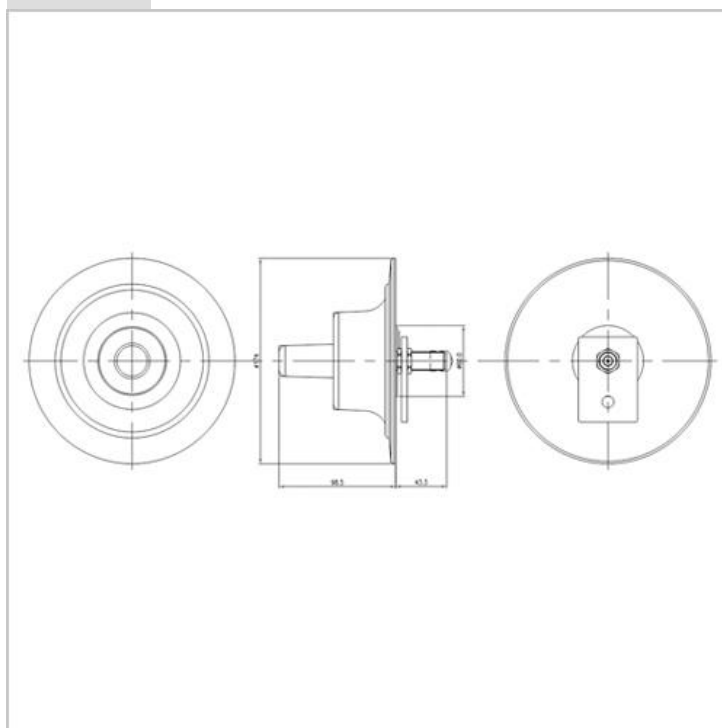
#### ◆Mechanical

Item	Specification
Dimensions	Ø 175 x 132
Weight	358 g
Connector Type	N-Type Female
Mount type	Ceiling Mount
Operating Temperature	-30° ~ +60° C

### 製品写真



### 寸法図



## 014646 Telecommunication Repeater Antennas - Omni Antennas - HOL-800WB(Partially) -

### 仕様

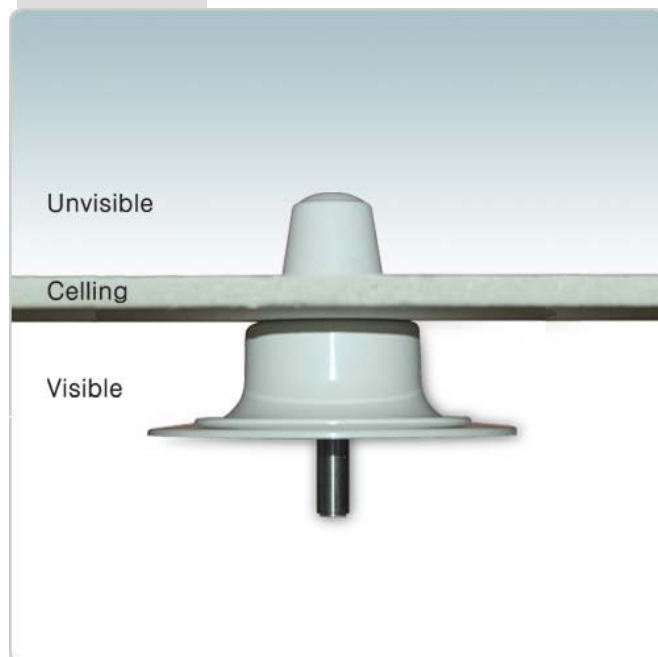
#### ◆Electrical Specifications

Item	Specification
Frequency Range	824~894 MHz(Cellular), 1885~2655MHz(IMT-2000, Wireless Lan, PMSB)
Gain	0 dBi
V.S.WR(Max.)	Less than 1.8
Impedance	50 Ω
Polarization	Vertical
Power Input(max.)	50W
IMD(Max.)	-140dBc

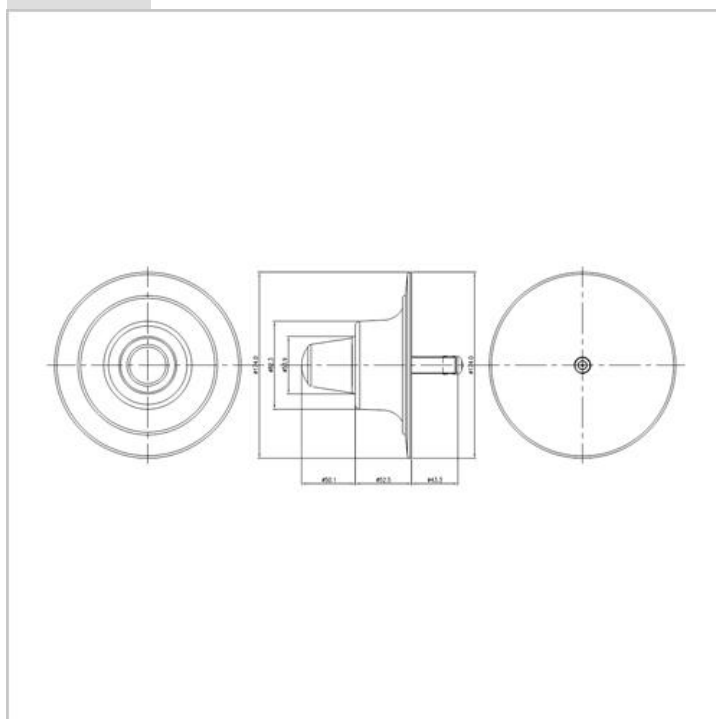
#### ◆Mechanical

Item	Specification
Dimensions	Ø 174 x 146
Weight	325 g
Connector Type	N-Type Female
Mount type	Ceiling Mount
Operating Temperature	-30° ~ +60° C

### 製品写真



### 寸法図



## 014647 Telecommunication Repeater Antennas - Omni Antennas - HOL-800WB SPEAKER -

### 仕様

#### ◆ Electrical Specifications

Item	Specification
Frequency Range	824~894 MHz
	1885~2170 MHz
	2300~2400 MHz
	2630~2655 MHz
Gain	2 dBi
V.S.W.R(Max.)	Less than 1.8
Impedance	50 Ω
Polarization	Vertical
Power Input(max.)	10W
IMD(max.)	-140dBc

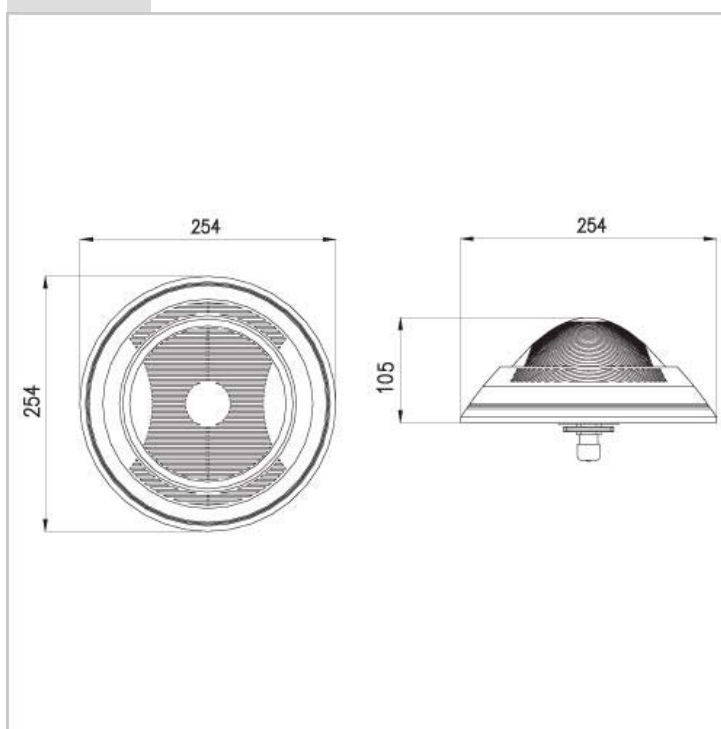
#### ◆ Mechanical Specification

Item	Specification
Dimensions	Ø 254 x 105 mm
Weight	800g
Connector Type	N-Type Female
Mount type	Ceiling Mount
Operating Temperature	-30° ~ +60° C

### 製品写真



### 寸法図



## 014648 Telecommunication Repeater Antennas - Omni Antennas - HOL-1700WB -

### 仕様

#### ◆Electrical Specifications

Item	Specification
Frequency Range	1710~2390MHz
Gain	2 dBi
V.S.W.R(Max.)	Less than 1.5
Impedance	50 Ω
Polarization	Vertical
Power Input(max.)	50W
IMD(7th-5W 2TONE: Max.)	-150dBc

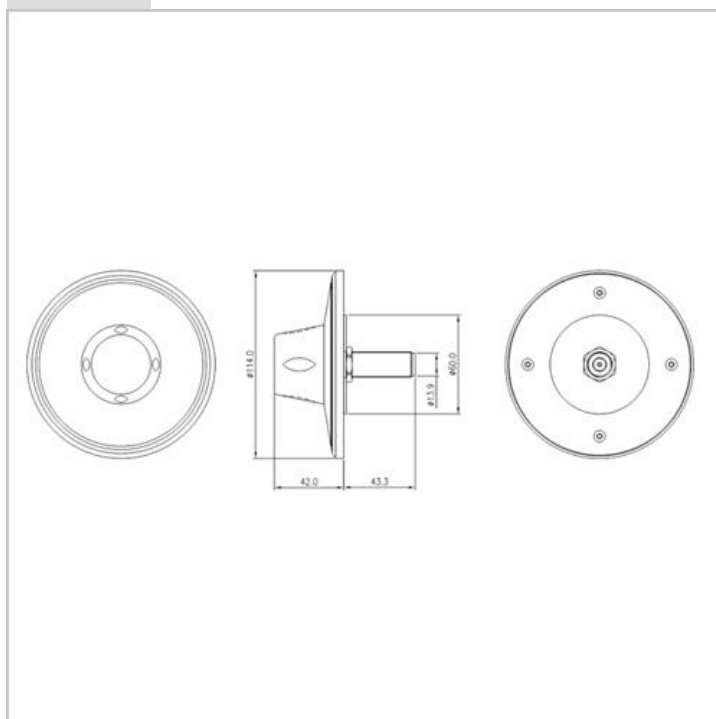
#### ◆Mechanical

Item	Specification
Dimensions	Ø114 x 85.3mm
Weight	210g
Connector Type	N-Type Female
Mount type	Ceiling Mount
Operating Temperature	-30° ~ +60° C

### 製品写真



### 寸法図



## 014649 Telecommunication Repeater Antennas - Omni Antennas - HOL-2000 -

### 仕様

#### ◆Electrical Specifications

Item	Specification
Frequency Range	1885~2170MHz
Gain	2 dBi
V.S.WR(Max.)	Less than 1.5
Impedance	50 Ω
Polarization	Vertical
Power Input(max.)	50W
IMD(Max.)	-130dBc

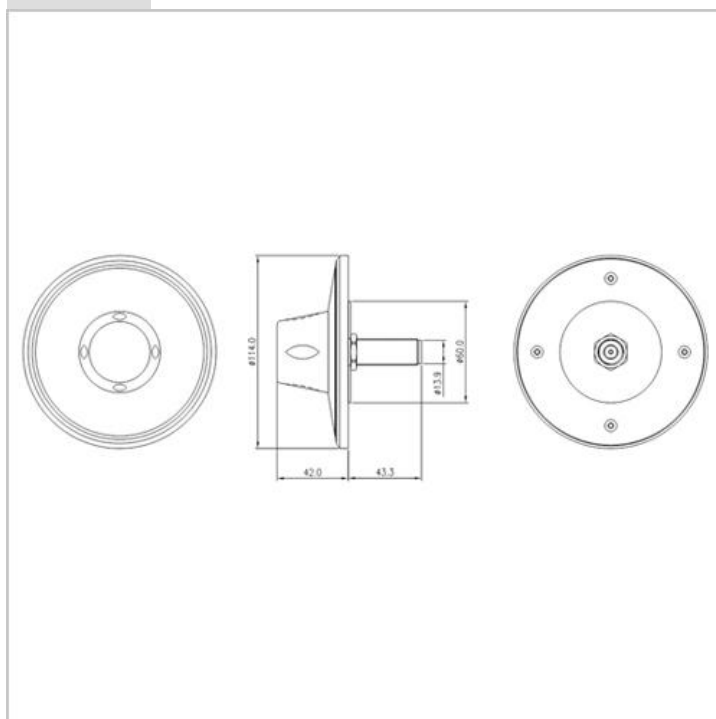
#### ◆Mechanical

Item	Specification
Dimensions	Ø114 x 85.3mm
Weight	174g
Connector Type	N-Type Female
Mount type	Ceiling Mount
Operating Temperature	-30° ~ +60° C

### 製品写真



### 寸法図



## 014650 Telecommunication Repeater Antennas - Omni Antennas - HOL-2600 -

### 仕様

#### ◆Electrical Specifications

Item	Specification
Frequency Range	2630~2655MHz
Gain	2 dBi
V.S.WR(Max.)	Less than 1.5
Impedance	50 Ω
Polarization	Vertical
Power Input(max.)	50W

#### ◆Mechanical

Item	Specification
Dimensions	Ø114 x 85.3mm
Weight	174g
Connector Type	N-Type Female
Mount type	Ceiling Mount
Operating Temperature	-30° ~ +60° C

### 製品写真



### 寸法図

