

014636 Mobile Phone Antennas - Monopole Antennas - HA-SD410 -

仕様

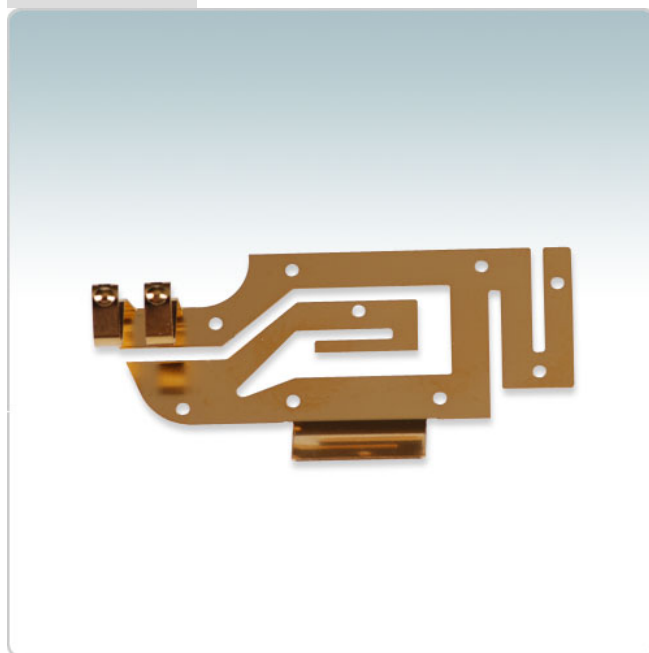
◆Electrical Specifications

Item	Specification
Frequency Range	824~894MHz
Gain	Unity
V.S.W.R(Max.)	Less than 2
Impedance	50 Ω
Polarization	Vertical
Power Input(max.)	3W

◆Mechanical

Item	Specification
Dimensions	34.9mm
Connector Type	-
Mount Type	Built-in
Operating Temp	-40° ~ +80° C

製品写真



寸法図

