

014627 Mobile Phone Antennas - Monopole Antennas - HA-FC10-CDMA -

仕様

◆Electrical Specifications

Item	Specification
Frequency Range	824~894MHz
Gain	Unity
V.S.W.R(Max.)	Less than 2
Impedance	50 Ω
Polarization	Vertical
Power Input(max.)	3W

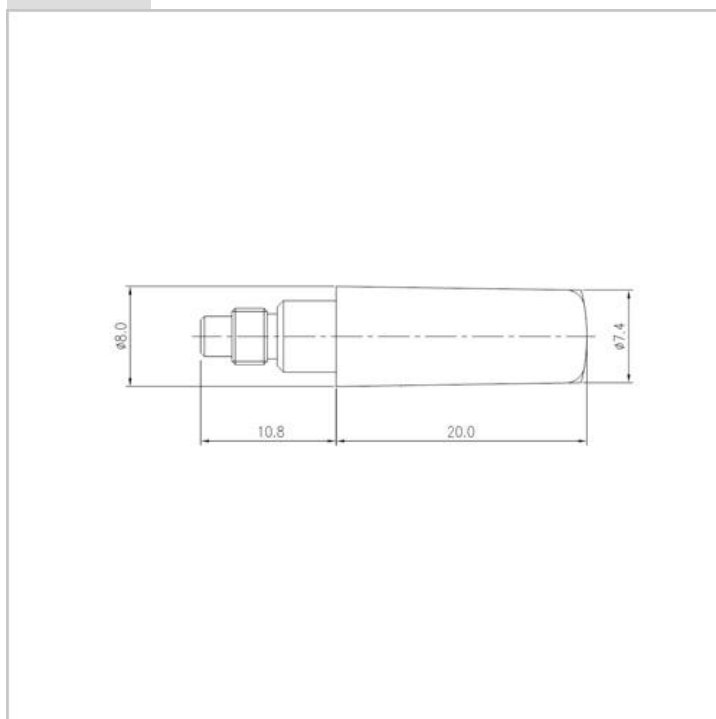
◆Mechanical

Item	Specification
Dimensions	30.8mm
Connector Type	SMC-Plug(M5x0.5)
Mount Type	Connector
Operating Temp	-40° ~ +80° C

製品写真



寸法図



014628 Mobile Phone Antennas - Monopole Antennas - HA-FC10-PCS -

仕様

◆ Electrical Specifications

Item	Specification
Frequency Range	1750~1870MHz
Gain	Unity
V.S.W.R(Max.)	Less than 2
Impedance	50 Ω
Polarization	Vertical
Power Input(max.)	3W

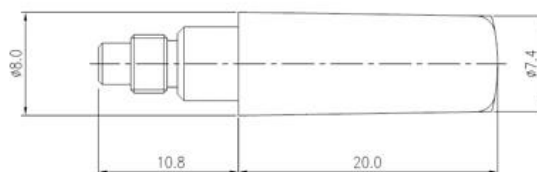
◆ Mechanical

Item	Specification
Dimensions	30.8mm
Connector Type	SMC-Plug(M5x0.5)
Mount Type	Connector
Operating Temp	-40° ~ +80° C

製品写真



寸法図



014629 Mobile Phone Antennas - Monopole Antennas - HA-H450S -

仕様

◆Electrical Specifications

Item	Specification
Frequency Range	455~465MHz
Gain	Unity
V.S.W.R(Max.)	Less than 2
Impedance	50 Ω
Polarization	Vertical
Power Input(max.)	3W

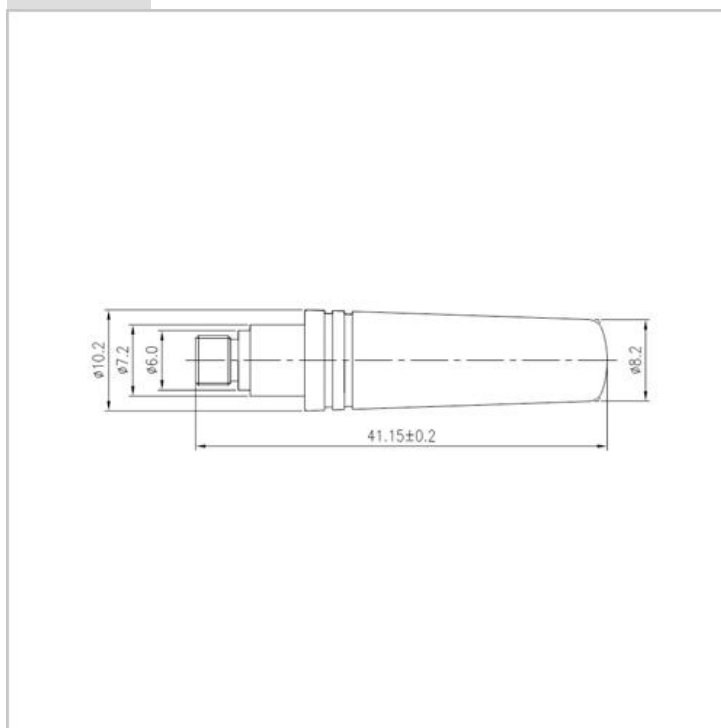
◆Mechanical

Item	Specification
Dimensions	41.1mm
Connector Type	Stud
Mount Type	M5x0.5-Tap
Operating Temp	-40° ~ +80° C

製品写真



寸法図



014630 Mobile Phone Antennas - Monopole Antennas - HA-HT-A -

仕様

◆Electrical Specifications

Item	Specification
Frequency Range	824~894MHz ,1575.42MHz
Gain	Unity
V.S.W.R(Max.)	Less than 2
Impedance	50 Ω
Polarization	Vertical
Power Input(max.)	3W

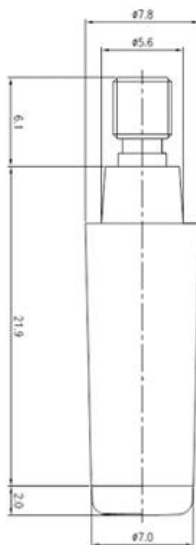
◆Mechanical

Item	Specification
Dimensions	30mm
Connector Type	Stud
Mount Type	M4x0.5-Tap
Operating Temp	-40° ~ +80° C

製品写真



寸法図



014631 Mobile Phone Antennas - Monopole Antennas - HA-LP3900 MAIN -

仕様

◆Electrical Specifications

Item	Specification
Frequency Range	1750~1850MHz
Gain	Unity
V.S.W.R(Max.)	Less than 2
Impedance	50 Ω
Polarization	Vertical
Power Input(max.)	3W

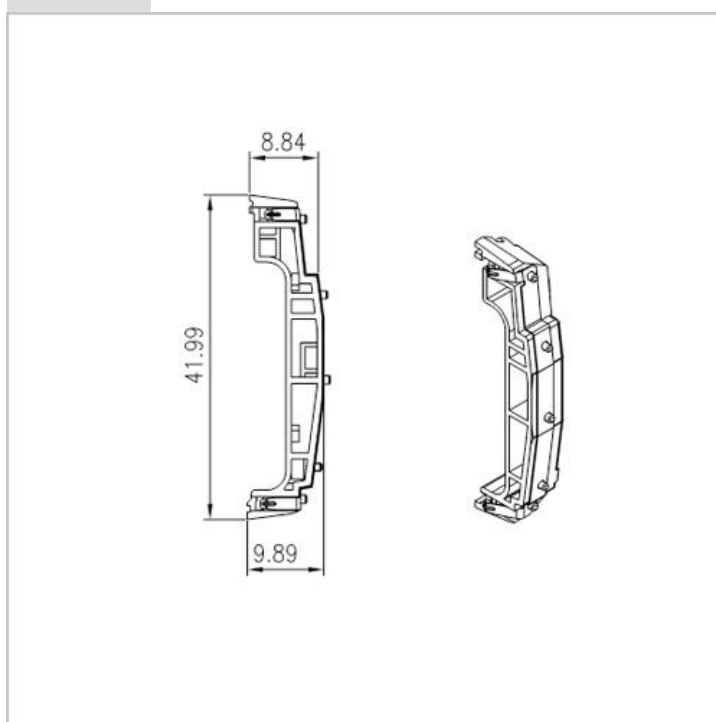
◆Mechanical

Item	Specification
Dimensions	42.1mm
Connector Type	-
Mount Type	Built-in
Operating Temp	-40° ~ +80° C

製品写真



寸法図



014632 Mobile Phone Antennas - Monopole Antennas - HA-LP3900(B/T) -

仕様

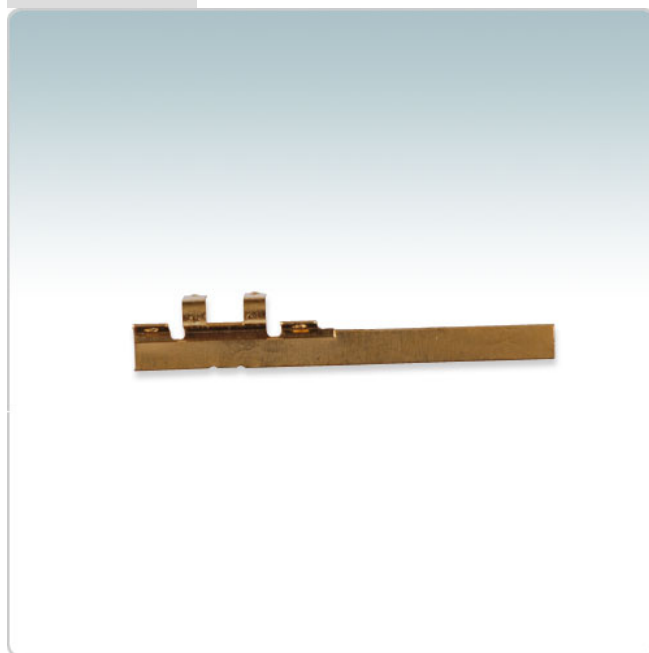
◆Electrical Specifications

Item	Specification
Frequency Range	2400~2480MHz
Gain	Unity
V.S.W.R(Max.)	Less than 2
Impedance	50 Ω
Polarization	Vertical
Power Input(max.)	3W

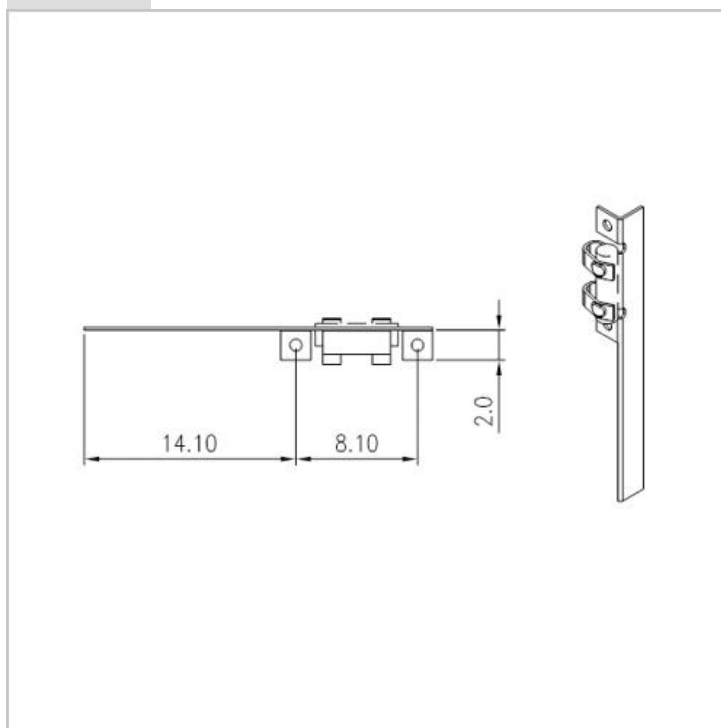
◆Mechanical

Item	Specification
Dimensions	23.2mm
Connector Type	-
Mount Type	Built-in
Operating Temp	-40° ~ +80° C

製品写真



寸法図



014633 Mobile Phone Antennas - Monopole Antennas - HA-LP8900 -

仕様

◆ Electrical Specifications

Item	Specification
Frequency Range	1750~1870MHz
Gain	Unity
V.S.WR(Max.)	Less than 2
Impedance	50 Ω
Polarization	Vertical
Power Input(max.)	3W

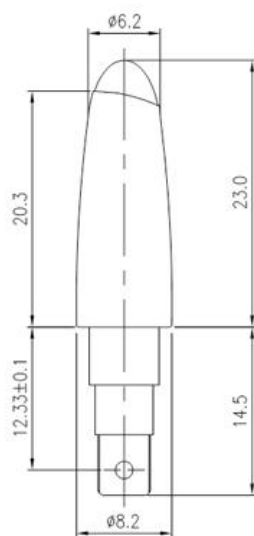
◆ Mechanical

Item	Specification
Dimensions	37.5mm
Connector Type	Stud
Mount Type	Screw-Bolt
Operating Temp	-40° ~ +80° C

製品写真



寸法図



014634 Mobile Phone Antennas - Monopole Antennas - HA-S400 -

仕様

◆Electrical Specifications

Item	Specification
Frequency Range	824~894MHz ,1575.42MHz
Gain	Unity
V.S.W.R(Max.)	Less than 2
Impedance	50 Ω
Polarization	Vertical
Power Input(max.)	3W

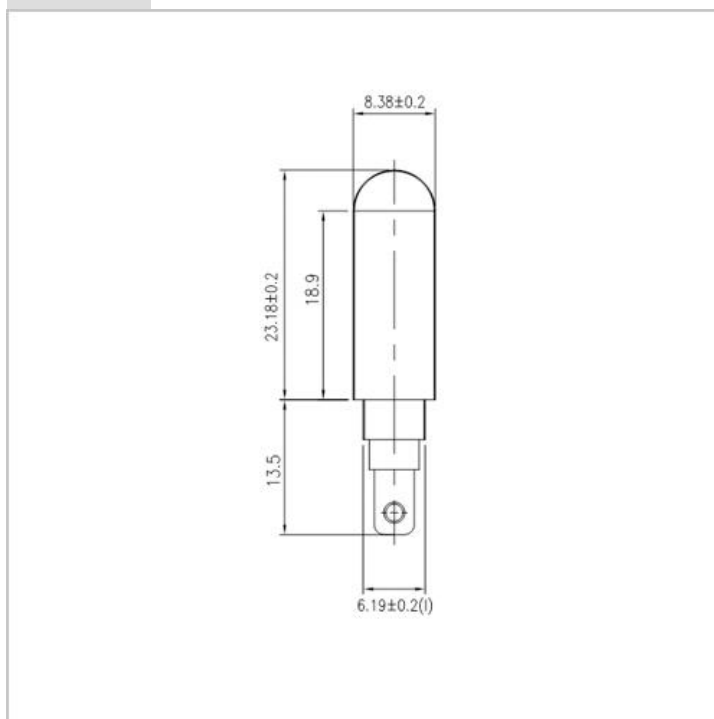
◆Mechanical

Item	Specification
Dimensions	36.6mm
Connector Type	Stud
Mount Type	Screw-Bolt
Operating Temp	-40° ~ +80° C

製品写真



寸法図



014635 Mobile Phone Antennas - Monopole Antennas - HA-S700 -

仕様

◆ Electrical Specifications

Item	Specification
Frequency Range	824~894MHz , 1575.42MHz
Gain	Unity
V.S.W.R(Max.)	Less than 2
Impedance	50 Ω
Polarization	Vertical
Power Input(max.)	3W

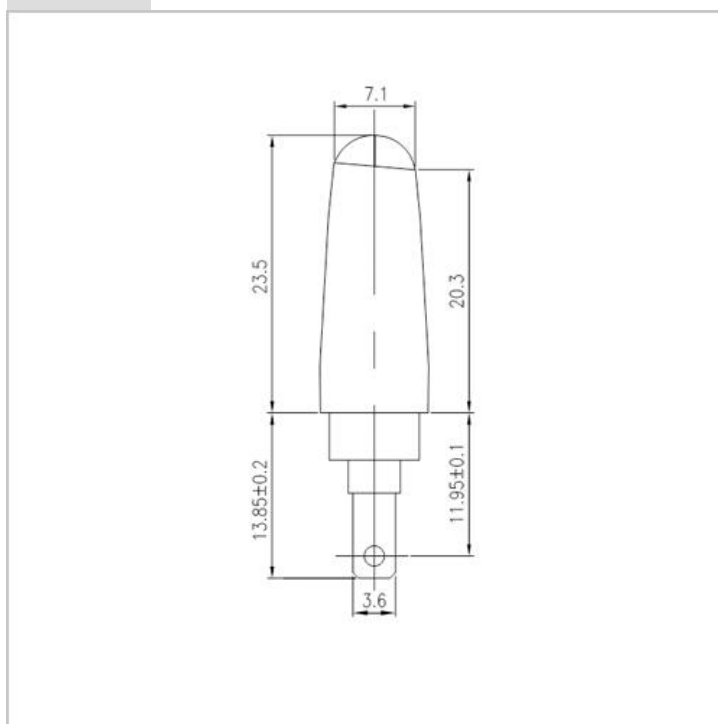
◆ Mechanical

Item	Specification
Dimensions	37.35mm
Connector Type	Stud
Mount Type	Screw-Bolt
Operating Temp	-40° ~ +80° C

製品写真



寸法図



014636 Mobile Phone Antennas - Monopole Antennas - HA-SD410 -

仕様

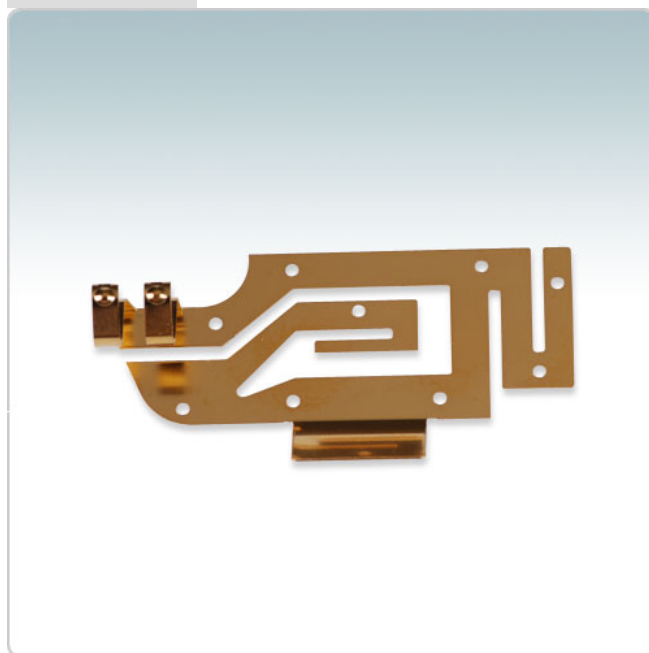
◆Electrical Specifications

Item	Specification
Frequency Range	824~894MHz
Gain	Unity
V.S.W.R(Max.)	Less than 2
Impedance	50 Ω
Polarization	Vertical
Power Input(max.)	3W

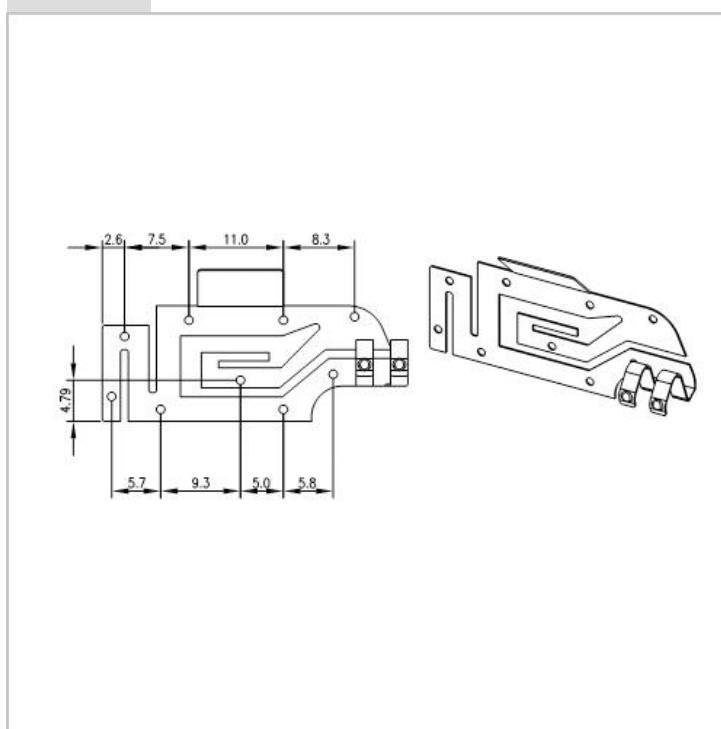
◆Mechanical

Item	Specification
Dimensions	34.9mm
Connector Type	-
Mount Type	Built-in
Operating Temp	-40° ~ +80° C

製品写真



寸法図



014637 Mobile Phone Antennas - Monopole Antennas - HA-VX1000R(D) -

仕様

◆ Electrical Specifications

Item	Specification
Frequency Range	824~894,1850~1990MHz
Gain	UNITY
V.S.W.R(Max.)	Less than 2
Impedance	50 Ω
Polarization	Vertical
Power Input(max.)	3W

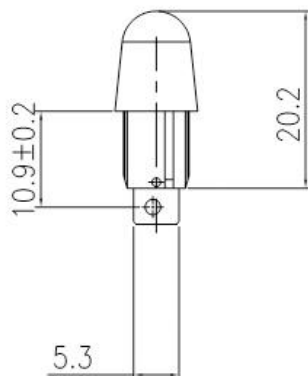
◆ Mechanical

Item	Specification
Dimensions	24.4mm
Connector Type	Stud Type
Mount Type	Screw Bolt
Operating Temp	-40° ~ +80° C

製品写真



寸法図



014639 Mobile Phone Antennas - Monopole Antennas - HA-VX1000R(G) -

仕様

◆ Electrical Specifications

Item	Specification
Frequency Range	1575.42MHz
Gain	UNITY
V.S.W.R(Max.)	Less than 2
Impedance	50 Ω
Polarization	Vertical
Power Input(max.)	3W

◆ Mechanical

Item	Specification
Dimensions	24.4mm
Connector Type	Stud Type
Mount Type	Screw Bolt
Operating Temp	-40° ~ +80° C

製品写真



寸法図

