

014605 GPS Antennas - Dual Band Antennas - HAG-CDA-3V/5V -

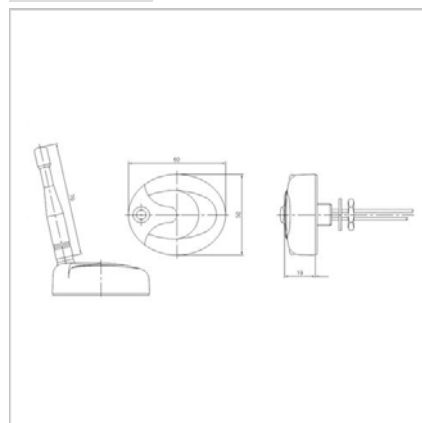
仕様

SPECIFICATIONS		GPS	Communication
ELECTRICAL	Frequency	1575.42 MHz (±1.023 MHz)	Cellular /PCS/GSM/DCS/IRIS
	GAIN	4 dBi	Unity
	V.S.W.R	Less than 2.0	Less than 2.0
	Impedance	50 Ω	50 Ω
	Polarization	RHCP	Vertical
	Pattern	Hemispherical	Omi-Directional
LNA	LNA Gain: 26 dB±2 dB Noise Figure: 2.0 dB (Max) Band Att.: 20 dB (min) @Fo±50kHz Voltage: DC +3V /DC +5V (±10%) Current: 20mA (Max)		-
SPECIFICATIONS		GPS	Communication
MECHANICAL	Connector	SMA (Male), Other Types(Optional)	
	Cable	1.5D-2V, RG-174 /Other Types(Optional) Black Color(with label 'GPS')	
	Height	20mm	70mm
	Width	Ø 50 x 60 mm (Elliptical)	
	Cover Material	ABS Resin Black Color	Urethane Black Color
	Mounting	Panel Mount	
Operating Temperature	-30℃ ~ +80℃		
Storage Temperature	-40℃ ~ +90℃		

製品写真



寸法図



014606 GPS Antennas - Dual Band Antennas - HAG-CDA2-3V/5V -

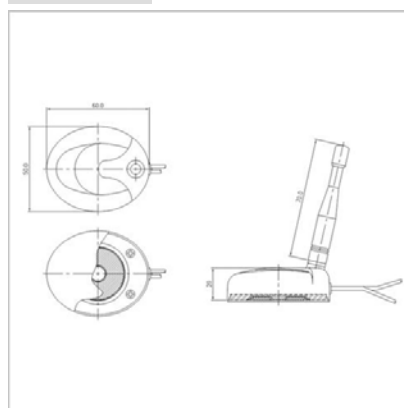
仕様

SPECIFICATIONS		GPS	Communication
ELECTRICAL	Frequency	1575.42 MHz (±1.023 MHz)	Cellular /PCS/GSM/DCS/IRS
	GAIN	4 dBi	Unity
	V.S.W.R	Less than 2.0	Less than 2.0
	Impedance	50 Ω	50 Ω
	Polarization	RHCP	Vertical
	Pattern	Hemispherical	Omi-Directional
LNA	LNA Gain: 25dB±2dB Noise Figure: 2.0dB (Max) Band Att.: 20dB (min) @Fo±50kHz Voltage: DC +3V /DC +5V (±10%) Current: 20mA (Max)		-
SPECIFICATIONS		GPS	Communication
MECHANICAL	Connector	SMA (Male), Other Types(Optional)	
	Cable	1.5D-2V, RG-174 /Other Types(Optional) Black Color(with label 'GPS')	
	Height	20mm	70mm
	Width	Ø 50 x 60 mm (Elliptical)	Ø 10.5mm
	Cover Material	ABS Resin Black Color	Urethane Black Color
	Mounting	Magnetic Mount	
	Operating Temperature	-30℃ ~ +80℃	
Storage Temperature	-40℃ ~ +90℃		

製品写真



寸法図



014607 GPS Antennas - Dual Band Antennas - HAG-TG -

仕様

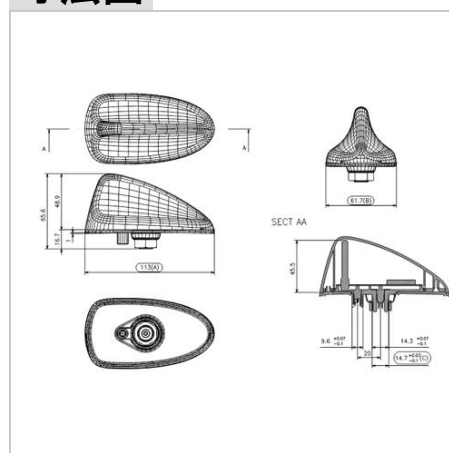
SPECIFICATIONS		G.P.S	PCS
ELECTRICAL	Frequency	1575.42 MHz \pm 1.023 MHz	1750MHz ~ 1870MHz
	GAIN	+4 dBi typical (GP:70x70mm)	-3dBi ~ 1dBi
	Axial Ratio	6dB Max.	-
	Polarization	RHCP	Vertical
	Pattern	Hemispherical	Omi-Directional
	V.S.W.R	Less than 2.0	Less than 2.0
	LNA	LNA Gain: 30 dB \pm 3 dB Noise Figure: 2.0 dB (Max) Band Att.: 20 dB (min) @Fo \pm 50MHz Voltage: DC +3V (\pm 0.3V) Current: 30 mA (Max)	-

SPECIFICATIONS		G.P.S	PCS
MECHANICAL	Connector	SMB Jack Gold Plated	SMB Plug Gold Plated
	Height	삼입, 이탈력 : 5kg, 2kg	
	Width	65.6mm	
	Cover Material	113 x 61.7mm	
	Mounting	PC-ABS	
		Mounting on the panel with nuts	

製品写真



寸法図



014608 GPS Antennas - Dual Band Antennas - HGD-4 -

仕様

◆ Electrical Specifications

Item	G.P.S	Cellular
Antenna type	PATCH	Micro Strip
Frequency	1575.42MHz (L1 BAND)	824 - 894 MHz
Gain	4 dBi	2 dBi
V.S.W.R	LESS THAN 2.0	LESS THAN 2.0
Impedance	50 ohms	50 ohms
Polarization	R.H.C.P	Linear
Pattern	Hemispherical	Omnidirectional
LNA	Gain : 26 dB \pm 2 dB Noise Temp. : 2.0(max) Voltage : DC 3V/5V(\pm 10%) Current : 20mA (max)	

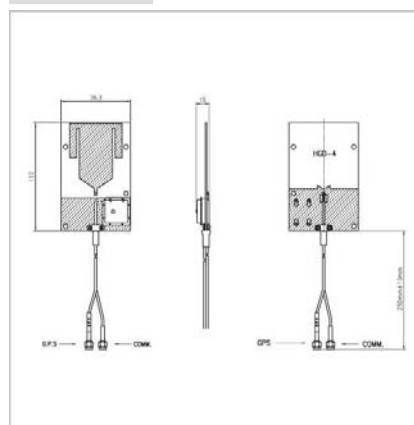
◆ Mechanical

Item	G.P.S	Cellular
Connector	SMA (male)	SMA (male)
Cable	RG-174 3000mm	RG-174 3000mm
Finish	Black Color	
Dimensions	116 x 76 x 15 mm	
Weight	160g (max)	

製品写真



寸法図



014609 GPS Antennas - Dual Band Antennas - HGD-5 -

仕様

SPECIFICATIONS		GPS	Communication
ELECTRICAL	Frequency	1575.42 MHz (±1.023 MHz)	Cellular/GPS/GSM/GPRS/GPRS
	GAIN	4 dBi	Unity
	V.S.W.R	Less than 2.0	Less than 2.0
	Impedance	50 Ω	50 Ω
	Polarization	RHCP	Vertical
	Pattern	Hemispherical	Omi-Directional
	LNA	LNA Gain: 25dB±2 dB Noise Figure: 2.0dB (Max) Band Att.: 20 dB (min) @±50MHz Voltage: DC +3V ~ +5V (±10%) Current: 20 mA (Max)	-
SPECIFICATIONS		GPS	Communication
MECHANICAL	Connector	SMA (Male) , Other Type Optional	
	Cable	1.5D-2V, RG-174 /Black Color(with label 'GPS')	
	Dimension	Ø 70mm	
	Height	15mm	
	Cover Material	PC	
	Mounting	Double-sided Tape Mount	
	Application	Dash Board or On Glass	
Operating Temperature	-30℃ ~ +80℃		
Storage Temperature	-40℃ ~ +90℃		

製品写真



寸法図

