

014601 GPS Antennas - Patch Antennas - HA-1575C13T3 -

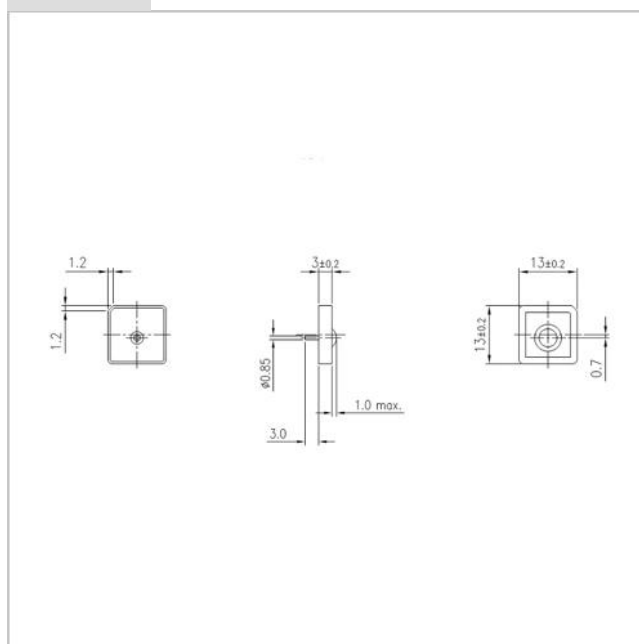
仕様

Parts Number	HA-1575C13T3
Electrical specification	
Frequency	1575.42 MHz
Bandwidth	5 MHz min
Polarization	R.H.C.P
Impedance	50 Ohm
Gain @Zenith	-2dBi typical
Mechanical specification	
Outline Dimension	13 x 13 x 3 mm
Temp. Coefficient	20 ppm / °C max -40 to +85°C
Ground Plane	50 x 50 mm
Frequency is may be offset compensate for changes in ground plane and radome.	

製品写真



寸法図

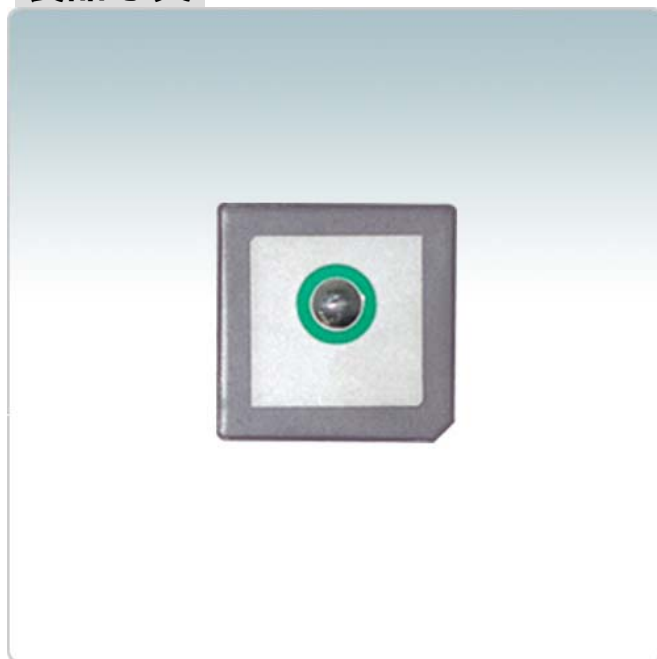


014602 GPS Antennas - Patch Antennas - HA-1575C18T4 -

仕様

Parts Number	HA-1575C18T4
Electrical specification	
Frequency	1575.42 MHz
Bandwidth	5MHz min
Polarization	R.H.C.P
Impedance	50 Ohm
Gain @Zenith	+2 dBi typical
Mechanical specification	
Outline Dimension	18 x 18 x 4 mm
Temp. Coefficient	20ppm/ °C max -40 to +85°C
Ground Plane	50 x 50 mm
Frequency is may be offset compensate for changes in ground plane and radome.	

製品写真



寸法図

