

692 Series

Tapered Transitions



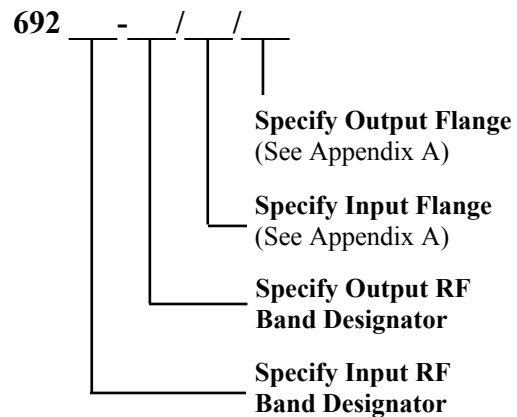
Features

- Low Loss
- Minimum Reflections
- Precise Fabricated Tapers
- Shortest Possible Insertion Length Consistent with High Mode Purity

Description 692 Tapered Transitions

Mi-Waves' 692 series tapered transitions are precision tapers with standard flanges for two different waveguide sizes. In each transition, the fabrication process allows precise control of taper dimensions to provide a good impedance match. As a result, high mode purity is maintained in the transfer process with minimum VSWR effects and energy loss. These transitions are available in many waveguide size combinations from 12.4 to 220 GHz. In addition to the standard configurations listed in this section, many special transitions will be developed upon request.

Ordering Information



Mi-Wave

Millimeter Wave Products Inc.

www.miwv.com

2200 Tall Pines Drive, Suite 100

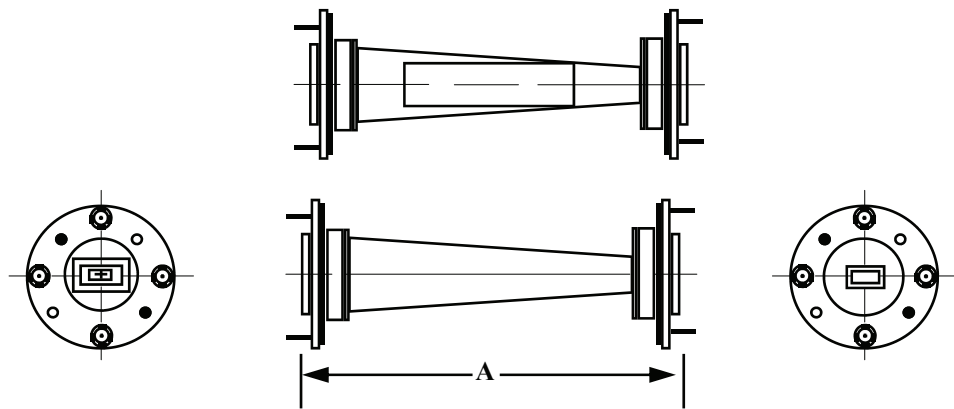
Largo, FL 33771

Tel. (727) 536-0033 Fax. (727) 536-0012

E: sales@miwv.com

692 Series

Tapered Transitions



Specifications

Model Number	Input Waveguide Dimension (in.)	Output Waveguide Dimension (in.)	VSWR Max.	A	
				in	mm
692K-A	0.422 X 0.170	0.2280 X 0.140	1.10	2.10	53.3
692A-B	0.280 X 0.140	0.224 X 0.112	1.10	2.00	50.8
692A-U	0.280 X 0.140	0.188 X 0.094	1.10	2.00	50.8
692A-V	0.280 X 0.140	0.148 X 0.074	1.10	2.00	50.8
692B-U	0.224 X 0.112	0.188 X 0.094	1.10	2.00	50.8
692B-V	0.224 X 0.112	0.148 X 0.074	1.10	2.00	50.8
692B-E	0.224 X 0.112	0.122 X 0.061	1.10	2.00	50.8
692B-W	0.224 X 0.112	0.100 X 0.050	1.10	2.00	50.8
692U-V	0.188 X 0.094	0.148 X 0.074	1.10	1.50	38.1
692U-E	0.188 X 0.094	0.122 X 0.061	1.10	1.50	38.1
692U-W	0.188 X 0.094	0.100 X 0.050	1.10	1.50	38.1
692V-E	0.148 X 0.074	0.122 X 0.061	1.10	1.50	38.1
692V-W	0.148 X 0.074	0.100 X 0.050	1.10	1.50	38.1
692V-F	0.148 X 0.074	0.080 X 0.040	1.10	1.50	38.1
692V-D	0.148 X 0.074	0.065 X 0.0325	1.15	1.50	38.1
692V-G	0.148 X 0.074	0.051 X 0.0255	1.15	1.50	38.1
692E-W	0.122 X 0.061	0.100 X 0.050	1.10	1.00	25.4
692E-F	0.122 X 0.061	0.080 X 0.040	1.10	1.00	25.4
692E-D	0.122 X 0.061	0.065 X 0.0325	1.15	1.00	25.4
692E-G	0.122 X 0.061	0.051 X 0.0255	1.15	1.00	25.4
692W-F	0.100 X 0.050	0.080 X 0.040	1.10	1.00	25.4
692W-D	0.100 X 0.050	0.065 X 0.0325	1.15	1.00	25.4
692W-G	0.100 X 0.050	0.051 X 0.0255	1.15	1.00	25.4
692F-D	0.080 X 0.040	0.065 X 0.0325	1.15	1.00	25.4
692F-G	0.080 X 0.040	0.051 X 0.0255	1.15	1.00	25.4
692D-G	0.065 X 0.0325	0.051 X 0.0255	1.15	1.00	25.4

Mi-Wave

Millimeter Wave Products, Inc.

www.miww.com

Tel. (727) 536-0033 Fax. (727) 536-0012

E: sales@miww.com