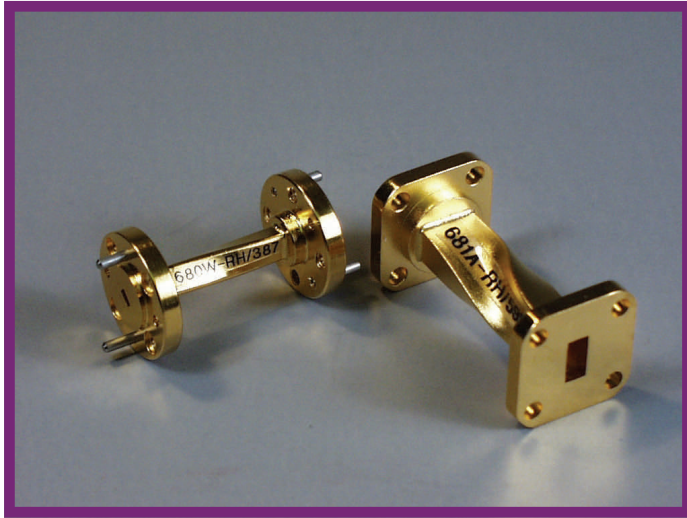


680 & 681 Series

45° and 90° Twists



Description 680 and 681 Series Twists

Mi-Wave's 680 series twists are short sections of standard flanged waveguide with left-hand or right-hand 45° twist configurations while the 681 series twists provide 90° twist configurations. The units are available in standard waveguide sizes from 12.4 to 320 GHz. Please be sure to specify the left-hand or right-hand configuration when ordering.

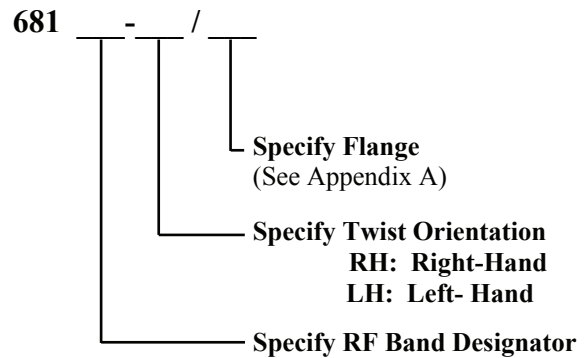
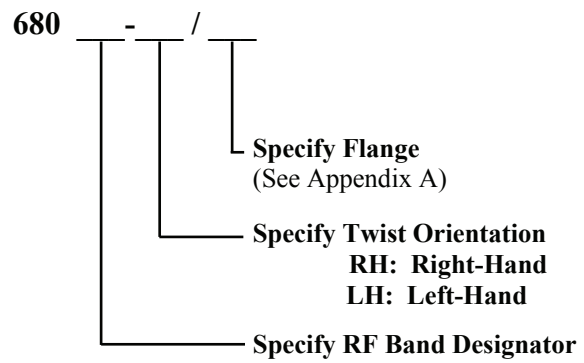
Applications

The 680 series and the 681 series waveguide twists are designed to provide changes in waveguide orientation with minimum energy loss and reflections. As integral parts in many of **Mi-Wave's** ferrite devices, these twists efficiently adapt polarization-rotated RF fields to the orientation of the remaining transmission line components.

Features

- Smooth 45° / 90° Polarization Changes for Minimum Energy Reflections

Ordering Information



Mi-Wave

Millimeter Wave Products Inc.

www.miwv.com

2200 Tall Pines Drive, Suite 100

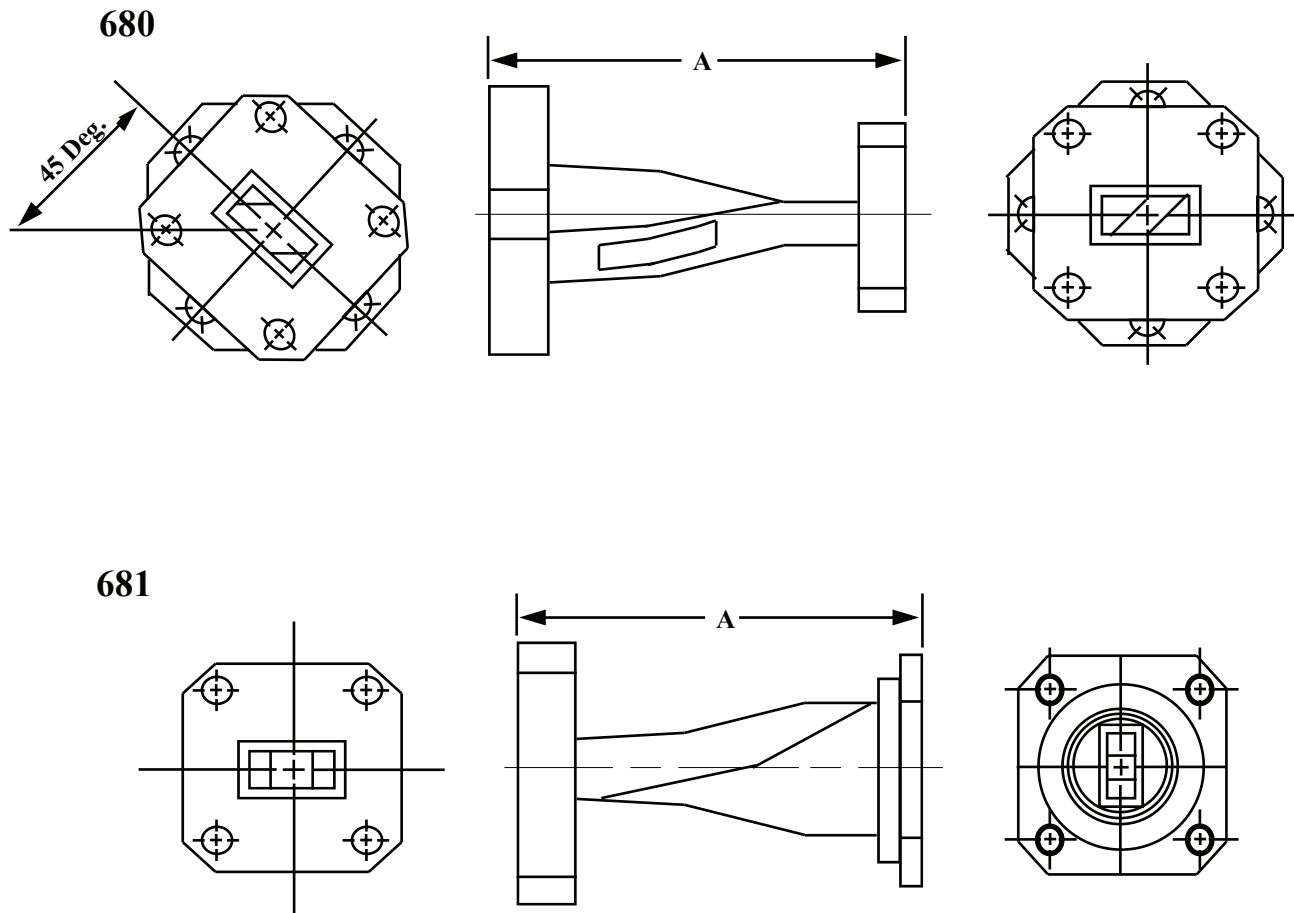
Largo, FL 33771

Tel. (727) 536-0033 Fax. (727) 536-0012

E: sales@miwv.com

680 & 681 Series

45° and 90° Twists



Dimensional Specifications

Model Number	A		Weight (oz)
	in	mm	
680Ku, 681Ku	3.20	81.28	3.2
680K, 681K	2.70	68.58	2.7
680A, 681A	1.50	38.1	1.9
680B, 681B	1.50	38.1	1.9
680U, 681U	1.50	38.1	1.8
680V, 681V	1.25	31.75	1.7
680E, 681E	1.25	31.75	1.6
680W, 681W	1.25	31.75	1.6
680F, 681F	1.25	31.75	1.3
680D, 681D	1.25	31.75	1.2
680G, 681G	1.25	31.75	1.2

Please Note: Any twist angle between 0 and 90 degrees are available. Please consult **Mi-Wave** for further information.

Mi-Wave

Millimeter Wave Products, Inc.

www.miww.com

Tel. (727) 536-0033 Fax. (727) 536-0012

E: sales@miww.com