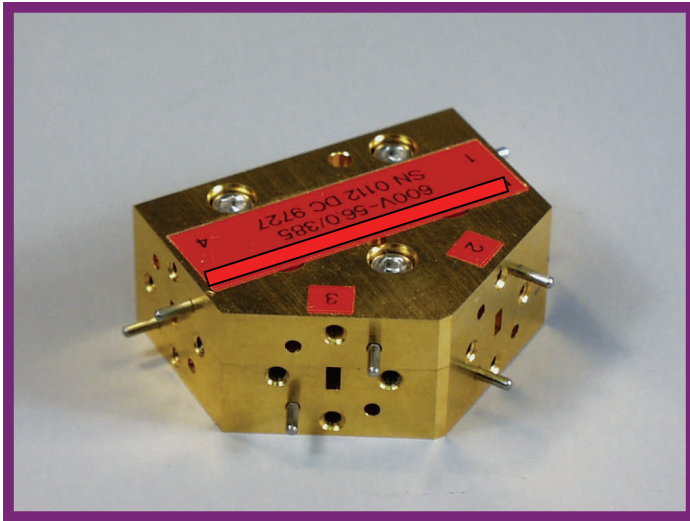


600 Series

Single Hybrid Rings



Features

- Low VSWR
- High Isolation
- Minimum Size
- High Reliability
- Equal Power Split
- Low Insertion Loss
- Rugged Construction

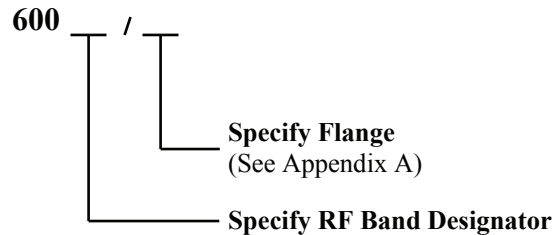
Description 600 Series Single Hybrid Rings

Mi-Wave's 600 series hybrid rings are four-port, inherently-matched 3 dB power splitting devices. Available in standard waveguide sizes from 18.0 to 220.0 GHz, these units are capable of both in-phase and out-of-phase splitting.

Applications

The 600 series hybrid rings are used in balanced mixers and power divider/combiner circuits where precise power splitting, high isolation, and accurate phase inversion are necessary.

Ordering Information



Port Configurations

Series 600		
Input	Power Split	Phase Relation
1	2,4	180 degrees out
2	1,3	in-phase
3	2,4	in-phase
4	1,3	180 degrees out

Mi-Wave

Millimeter Wave Products Inc.

www.miwv.com

2200 Tall Pines Drive, Suite 100

Largo, FL 33771

Tel. (727) 536-0033 Fax. (727) 536-0012

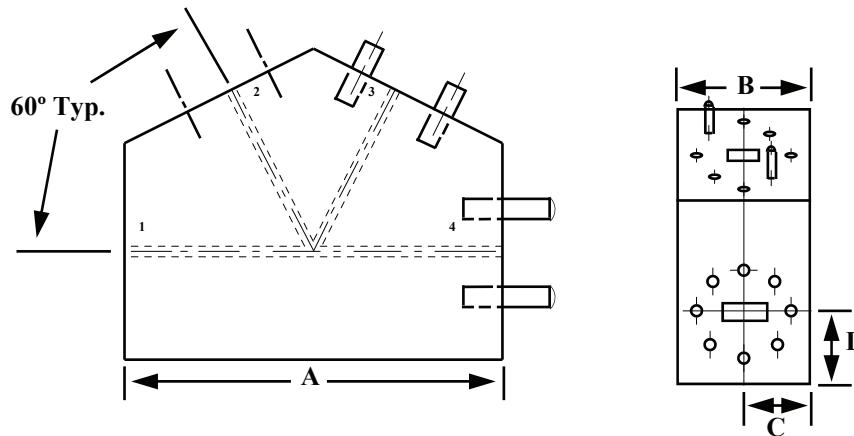
E: sales@miwv.com

600 Series

Single Hybrid Rings

Technical Specifications

Model Number	600K	600A	600B	600U	600V	600E	600W	600F	600D	600G
Frequency Band (GHz)	18.0-26.5	26.5-40.0	33.0-50.0	40.0-60.0	50.0-75.0	60.0-90.0	75.0-110.0	90.0-140.0	110.0-170.0	140.0-220.0
Isolation (dB) Max.	20	20	20	20	20	20	20	20	20	20
Insertion Loss (dB) Max.	0.5	0.5	0.5	0.5	0.5	0.5	0.7	0.7	0.8	0.8
Power Imbalance Max. (dB)	0.5	0.5	0.5	0.5	0.5	0.5	0.5	0.5	0.5	0.5
VSWR Max.	1.25	1.25	1.25	1.25	1.25	1.25	1.25	1.25	1.25	1.30
Bandwidth (%)	5	5	5	5	5	5	5	5	5	4
Weight (oz)	22	22	22	22	9.0	9.0	9.0	2.5	2.5	2.5



Dimensional Specifications

Model Number	A		B		C		D	
	in	mm	in	mm	in	mm	in	mm
600K	2.50	63.5	1.14	28.9	0.57	14.5	0.63	16.0
600A	2.38	60.9	1.25	31.7	0.63	16.0	0.63	16.0
600B	2.38	60.9	1.25	31.7	0.65	16.5	0.63	16.0
600U	2.34	59.4	1.12	28.4	0.55	14.0	0.57	14.5
600V	1.90	48.3	0.76	19.3	0.38	9.6	0.46	11.7
600E	1.90	48.3	0.76	19.3	0.38	9.6	0.46	11.7
600W	1.90	48.3	0.76	19.3	0.38	9.6	0.46	11.7
600E, D, G	On Request							

Mi-Wave

Millimeter Wave Products, Inc.

www.miww.com

Tel. (727) 536-0033 Fax. (727) 536-0012

E: sales@miww.com