

283 Series Linear-Circular Switchable Polarizers



Description 283 Series Polarizers

Mi-Wave's 283 series polarizer, similar to the 282 series, will convert linear input signals to circular output signals with selectable output features. A manual switch on the unit allows for selection of the output signal's polarization sense or conversion back to a linear polarization. Therefore, for any linearly polarized input signal, the output may be selected to be right circular, left circular or linear polarization. The characteristics of the circularly polarized signal are similar to the 282 models.

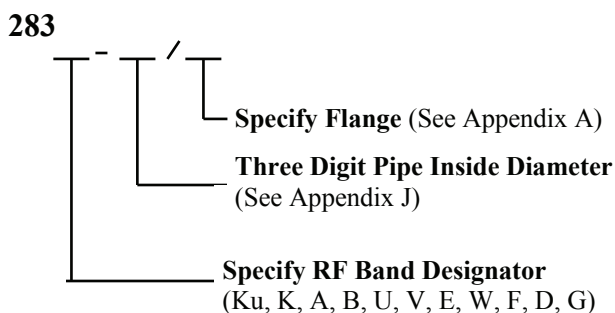
Applications

Radio Astronomy
Communication Links
Communication Systems

Features

- VSWR < 1.2
- Extremely Compact
- Manual Switch for Polarization Selection
- Higher Frequency Units will be Quoted on Request
- Axial Ratio < 1.0 dB Over the Indicated Bandwidth
- Converts Linear Input Signals to Selectable Output Signals
- Available from 18.0 to 110 GHz with 3% or Greater Bandwidth
- Output Signal Options: Right-Hand Circular / Left-Hand Circular / Linear

Ordering Information



Mi-Wave

Millimeter Wave Products Inc.

www.miwv.com

2200 Tall Pines Drive, Suite 100

Largo, FL 33771

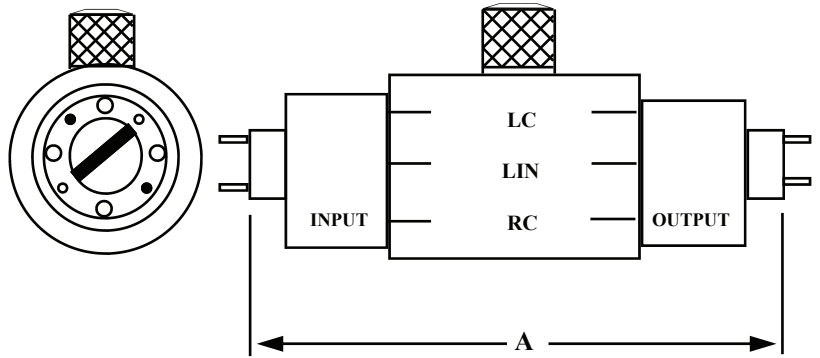
Tel. (727) 536-0033 Fax. (727) 536-0012

E: sales@miwv.com

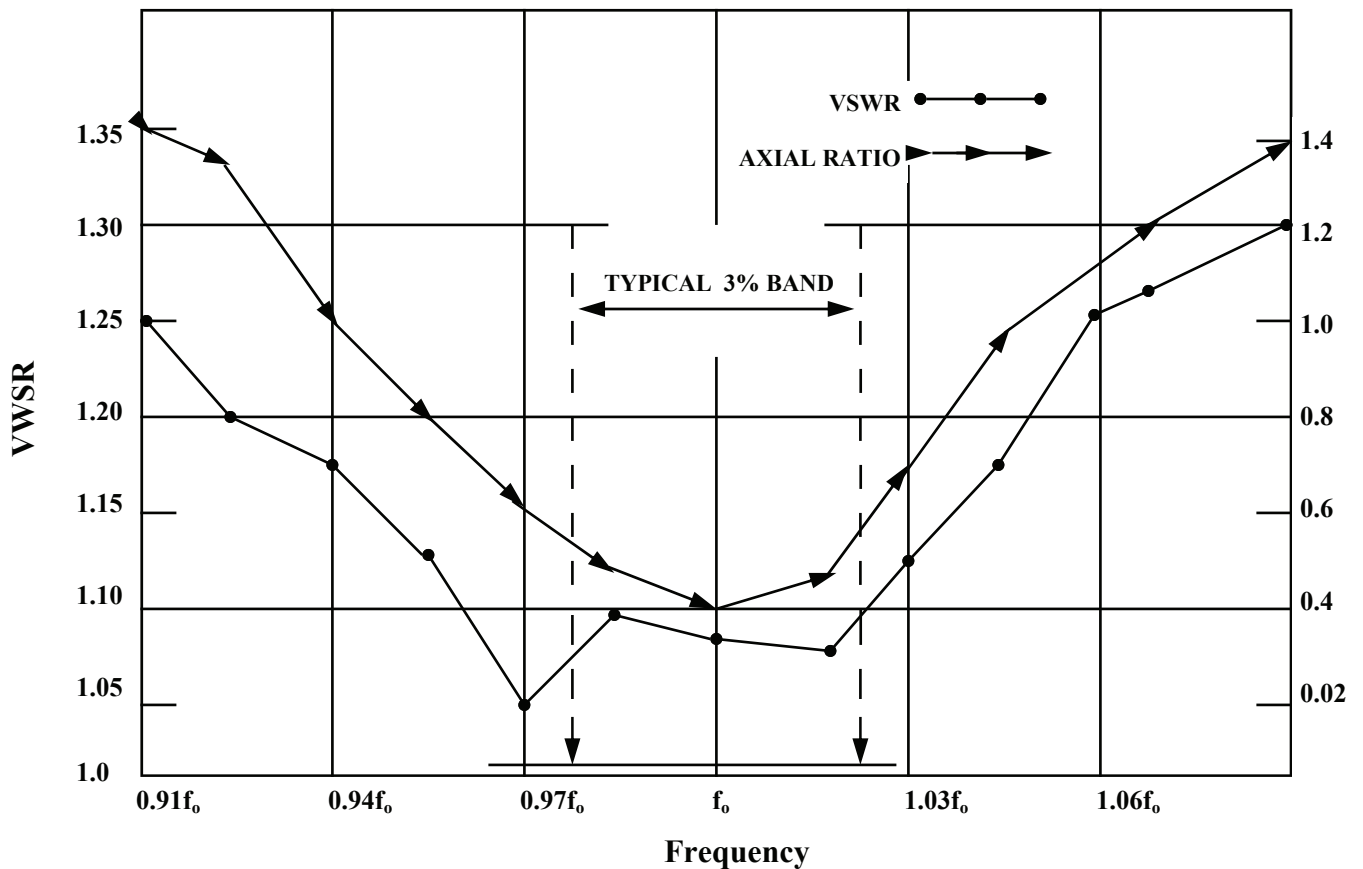
283 Series Linear-Circular Switchable Polarizers

Specifications

Model No.	Frequency Band (GHz)	A in	A mm
283K	18.0-26.5	2.3	58.4
283A	26.5-40.0	1.5	38.1
283B	33.0-50.0	1.5	38.1
283U	40.0-60.0	1.5	38.1
283V	50.0-75.0	1.1	27.9
283E	60.0-90.0	1.1	27.9
283W	75.0-110.0	1.0	25.4



Performance Curve



Mi-Wave

Millimeter Wave Products, Inc.

www.miww.com

Tel. (727) 536-0033 Fax. (727) 536-0012

E: sales@miww.com